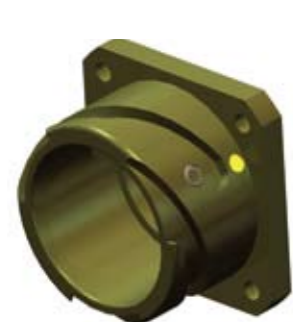
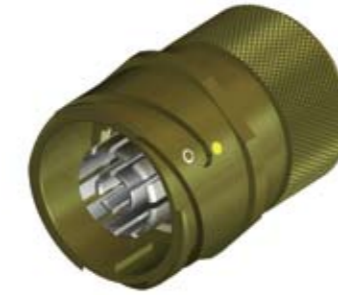


# YH series

VG96929 Style Connector  
ISO9001/ ISO14001



<b>Introduction</b>	Overview	4	
	Ordering Information	4	
	Key Rotation Position	5	
	Technical Data	5	
	Electrical Data	6	
	Panel Cut-outs	6	
<b>YHGE Series</b>	VG96929 Style	YHGE0E...B-03 / Wall Mounting Receptacle	7
		YHGE1E...B-03 / Cable Connecting Plug	7
		YHGE2E...B-16 / Box Mounting Receptacle	8
		YHGE6E...B-03 / Straight Plug	8
		YHGE6E...B-14 / Straight Plug	9
		YHGE8E...B-03, -14 / 90° Plug	9
<b>VG96929 Style Accessories</b>	Metal Dust caps With Chain	10	
	Dummy Receptacle	10	

**Ordering Info: Green World Technologies Corporation**  
[www.gworldtech.com](http://www.gworldtech.com) [sales@gworldtech.com](mailto:sales@gworldtech.com)  
 Ph. 1 (310) 774-0919 Fax: 1 (310) 217-0091

# YH series

VG96929 Style Connector  
ISO9001/ISO14001



## 개요 (Overview)

이 커넥터는 원래 군용장비에 사용되도록 디자인 되었으나, 현재는 많은 산업 분야에서 사용되고 있습니다. 이 커넥터는 낮은 전압에서 높은 전류를 보내기 위하여 설계 되었으며, 결합치수 및 기계적 특징과 VG95234의 뒤쪽의 패널 설치 요구조건을 충족시키도록 설계 되었습니다.

The YHGE Series (VG96929) was originally designed for military equipments and today it is widely used commercially. It was designed to send high electric current at low voltages and to satisfy coupling measurements, mechanical characteristics, and the set-up requirements on the back panel of the VG95234.

## 주문 정보 (Ordering Information)

### Yeonhab Nomenclature



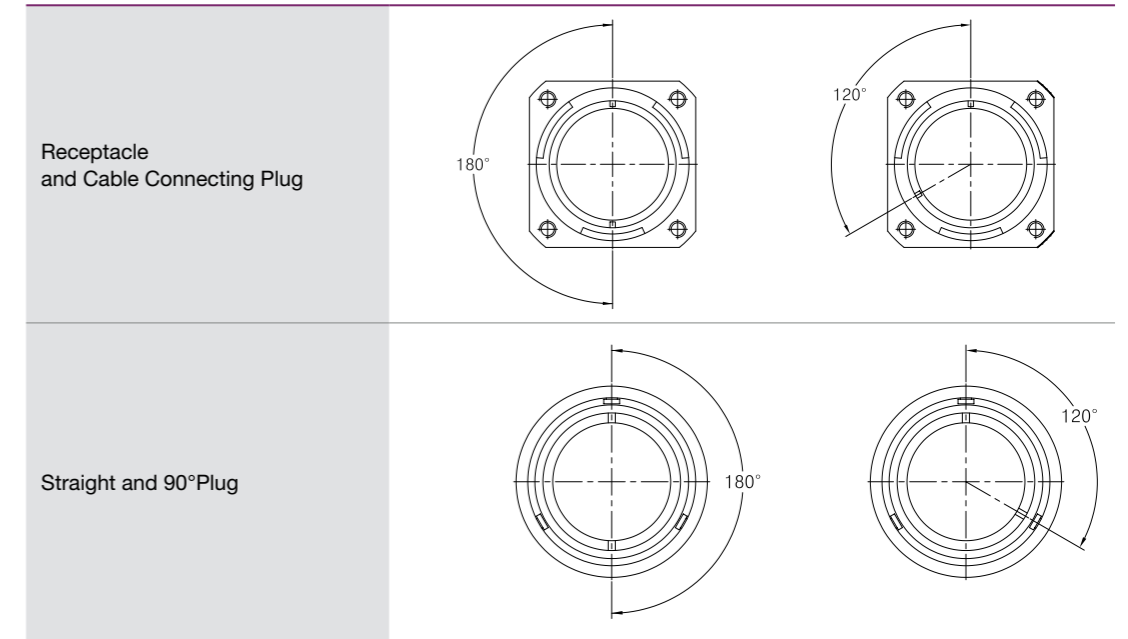
<ul style="list-style-type: none"> <li>• <b>Product Series</b> Yeonhab Precision Product Series</li> <li>• <b>Shell Type</b> <ul style="list-style-type: none"> <li>0 - Wall Mounting Receptacle With Flange</li> <li>1 - Cable Connecting Plug</li> <li>2 - Box Mounting Receptacle with flange</li> <li>6 - Straight Plug</li> <li>8 - Plug 90°</li> </ul> </li> <li>• <b>Rating</b> E - Water Resistant Structure</li> <li>• <b>Shell Size</b> 18, 22, 28, 32</li> <li>• <b>Contact Size</b> <ul style="list-style-type: none"> <li>H2 - 25 mm<sup>2</sup></li> <li>H5 - 50 mm<sup>2</sup></li> <li>H15 - 150 mm<sup>2</sup></li> <li>H24 - 240 mm<sup>2</sup></li> </ul> </li> <li>• <b>Contact Type</b> <ul style="list-style-type: none"> <li>F - 스프링 접점</li> <li>Z - 실린더 접점</li> </ul> </li> </ul>	<ul style="list-style-type: none"> <li>• <b>Key Rotation Position</b> <ul style="list-style-type: none"> <li>N - 180°</li> <li>W - 120°</li> </ul> </li> <li>• <b>Coupling Method</b> Bayonet Coupling</li> <li>• <b>Measurement Option</b> <ul style="list-style-type: none"> <li>03 - Adaptor for heat shrink boots</li> <li>04 - Installed at the back panel, screw hole, metric clamping contact</li> <li>05 - flange mounting hole is a through-hole type</li> <li>14 - shield version, metric clamping contact</li> <li>16 - screw bolt end point, installed at the front panel, sealed between the wall and the receptacle with O-ring</li> </ul> </li> </ul>
---	--

# YH series

VG96929 Style Connector  
ISO9001/ISO14001



## Key 회전위치 (Key Rotation Position)



## 기술적 자료 (Technical Data)

Ambient Temperature	-55°C ~ +125°C
Testing Pressure	1 bar overpressure
Testing Durability	12 hour
Vibration Testing	10~2000Hz에서 200%
Mechanical Durability	결합/분리 500회

Material and Protection Coating	
Body Protection Coating	Aluminum alloy Cadmium plating on tope of Nickel plating
Insulator	PTFE
Insulator Contact Protection Coating	Copper alloy Hard silver plating

Contact Retention Force	
Contact size	Testing Force (N) Min.
H5	120
H9	140
H15	160
H24	200

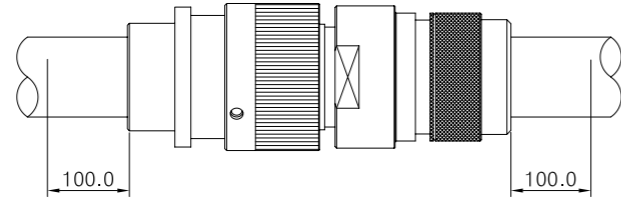
shell size	Coupling contracting force	
	locking/unlocking	Max. Nm unlocking
18	8.0	0.6
22	11.0	0.8
28	17.0	0.9
32	19.0	1.0

It must match the condition of testing no. 5.4 in Part 2 of VG95319.

It must match the condition of testing no. 5.8.2 in Part 2 of VG95319.

## 전기적 자료 (Electrical Data)

Rated Current	temperature 125°C (A)				Creepage and Air Clearances	
Shell size	18	22	28	32	Creepage Distance Minimum	5 mm
Contact size	H5	H9	H15	H24	Air Clearances Minimum	3 mm
Maximum rated current(A)	350	570	750	950		
Maximum time allowed 0.5~1(A)	1000	2000	3000	5000		
					Insulation Resistance	Minimum 5000MΩ



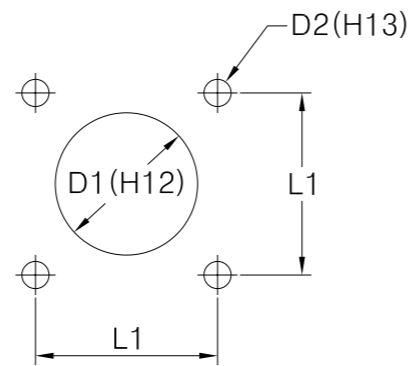
Contact Resistance				
Contact Size	H5	H9	H15	H24
Contact Resistance (Max mΩ)	0.3	0.15	0.1	0.07

## 패널 Cut-Outs (Panel Cut-Outs)

VG96929 Style A2, B1, C1, C2

사각코넥터의 패널 전면과 후면의 장착 Cut-Outs.

Cut-outs of front and back of receptacle connector panel.



UNIT: mm

Shell Size	Quadrangle body, installed at back panel YHGE0E-B-03/14 YHGE2E-B-04			Quadrangle body, installed at front panel YHGE2E-B-16		
	H12 D1 +0.15 -0.00	H13 D2 +0.15 -0.00	L1 ±0.15	H12 D1 +0.15 -0.00	D2 H13 +0.15 -0.00	Thread. L1 ±0.15
18	31.1	4.5	27.0	27.4	4.5	M4x0.7
22	37.8	4.5	31.8	33.7	4.5	M4x0.7
28	47.1	5.5	39.7	43.3	4.5	M4x0.7
32	53.8	5.5	44.5	49.7	4.5	M4x0.7

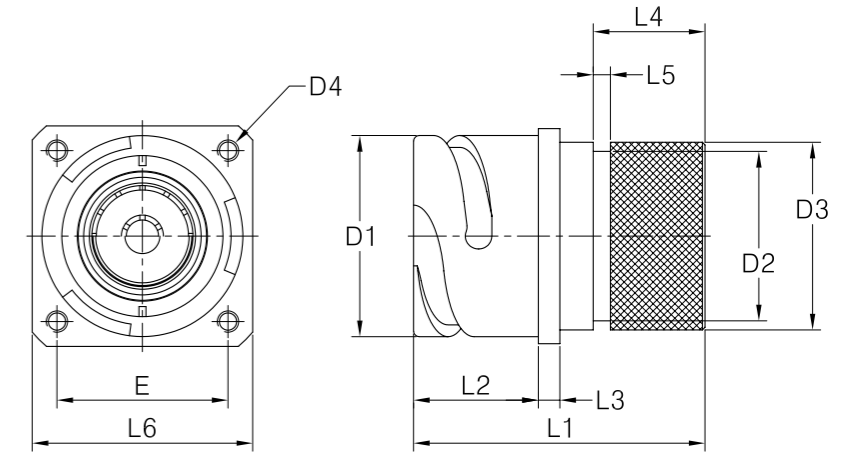
## YHGE Series (VG96929 Style)

### YHGE0E...B-03 / Wall Mounting Receptacle

VG96929 Style B1

플랜지가 패널의 후면에 붙음. 플랜지 결합홀이 나사식임.  
어댑터 및 부트 사용 가능. Metric 클리핑 접점 사용.

Flange is attached at the back of the panel. Flange coupling hole is a screw type. Can use adaptor and boots.  
Uses metric clamping contact.



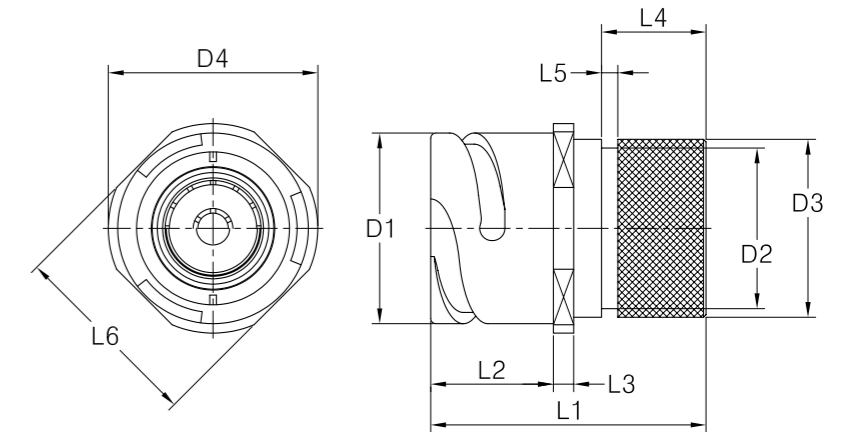
UNIT: mm

Shell Size	D1 +0.00 -0.15	D2 Max.	D3 Max.	D4	E1 ±0.1	L1 ±0.3	L2 +0.4 -0.0	L3 ±0.3	L4 ±0.2	L5 ±0.2	L6 ±0.3
18	30.8	25.8	28.4	M4x0.7	27.0	50.0	23.05	4.0	18.1	3.3	35.0
22	37.4	33.0	35.3	M4x0.7	31.8	54.0	23.05	4.0	20.8	3.3	41.0
28	46.7	41.3	44.8	M5x0.8	39.7	65.3	24.05	4.0	20.8	3.7	50.8
32	53.4	46.1	49.6	M5x0.8	44.5	66.8	28.90	4.0	28.0	3.7	57.0

### YHGE1E...B-03 / Cable Connecting Plug

어댑터 및 부트 사용 가능.  
Metric 클리핑 접점 사용.

Can use adaptor and boots.  
Uses metric clamping contact.



UNIT: mm

Shell Size	D1 +0.00 -0.15	D2 Max.	D3 Max.	D4	L1 ±0.3	L2 +0.4 -0.0	L3 ±0.2	L4 ±0.2	L5 ±0.2	L6 ±0.2
18	30.8	25.8	28.4	34.8	50.0	23.05	4.0	18.1	3.3	31.7
28	46.7	41.3	44.8	50.9	65.3	24.05	4.0	20.8	3.7	47.6
32	53.4	46.1	49.6	57.1	66.8	28.90	4.0	28.0	3.7	54.0



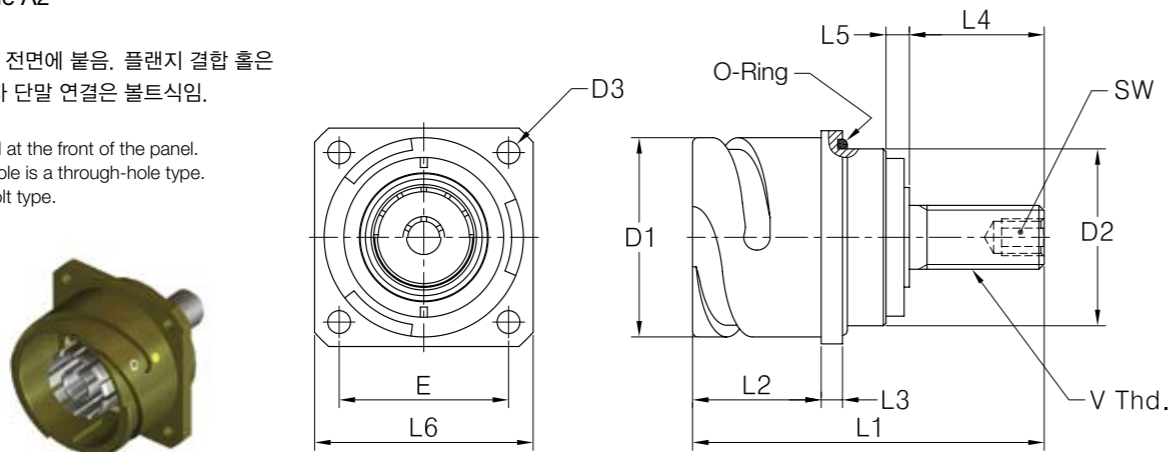
# YHGE Series (VG96929 Style)

## YHGE2E...B-16 / Box Mounting Receptacle

VG96929 Style A2

플랜지가 패널의 전면에 붙음. 플랜지 결합 홀은 관통구멍임. 단자 단말 연결은 볼트식임.

Flange is attached at the front of the panel. Flange coupling hole is a through-hole type. Terminal port is bolt type.



UNIT: mm

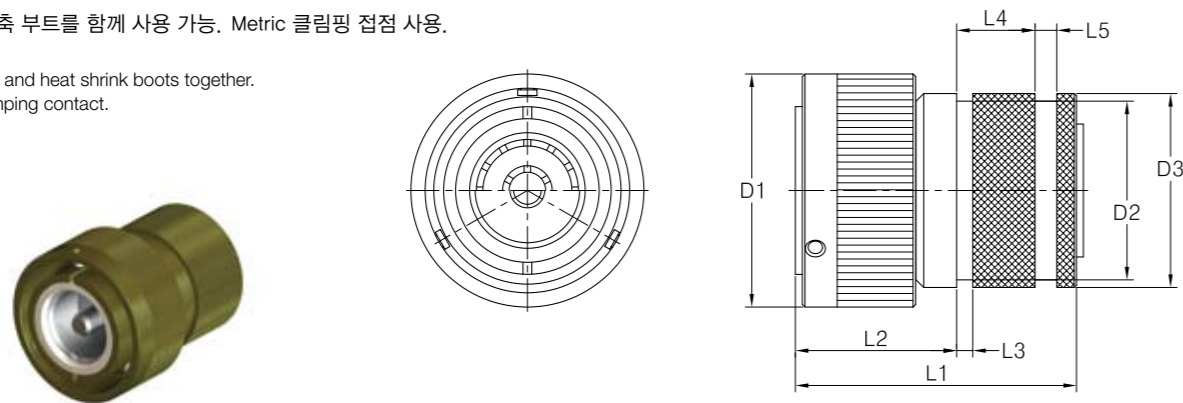
Shell Size	D1 +0.00 -0.15	D2 +0.00 -0.15	D3 H13	E ±0.1	L1 Max.	L2 +0.4 -0.0	L3 ±0.2	L4 ±0.5	L5 ±0.3	L6 ±0.3	SW	V Thread.
18	30.8	26.9	4.3	27.0	55.0	23.05	4.0	15.0	4.0	35.0	3.0	M8x1.25
28	46.7	42.8	4.3	39.7	61.0	24.05	4.0	20.0	4.0	50.8	6.0	M12x1.75
32	53.4	49.2	4.3	44.5	73.0	28.90	4.0	22.0	6.0	57.0	8.0	M16x2.00

## YHGE6E...B-03 / Straight Plug

VG96929 Style G

어댑터 와 열수축 부트를 함께 사용 가능. Metric 클리핑 접점 사용.

Can use adaptor and heat shrink boots together. Uses metric clamping contact.



UNIT: mm

Shell Size	D1 Max.	D2 Max.	D3 Max.	L1 Max.	L2 Max.	L3 ±0.2	L4 (Optional)	L5 ±0.2 (Optional)
18	36.5	25.8	28.4	53.0	33.0	3.7	-	-
28	53.5	41.3	44.8	65.0	37.0	3.7	18.0	5.0
32	60.1	46.1	49.6	65.0	39.0	3.7	15.0	5.0

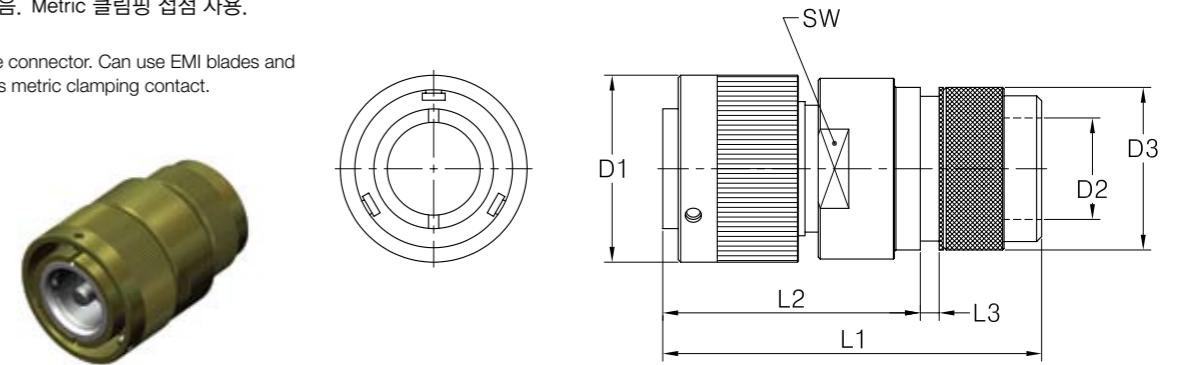
# YHGE Series (VG96929 Style)

## YHGE6E...B-14 / Straight Plug

VG96929 Style F

EMI 그라운드 핑거 타입 코넥터로 엔드벨에 EMI 브레이드를 고정 사용 및 부트를 사용할 수 있음. Metric 클리핑 접점 사용.

EMI ground finger type connector. Can use EMI blades and boots at end bell. Uses metric clamping contact.



UNIT: mm

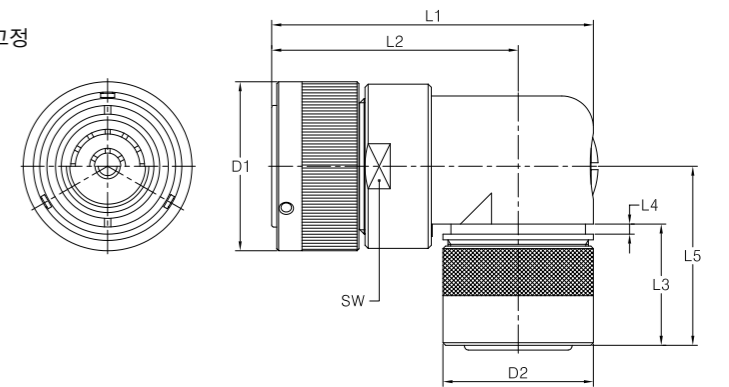
Shell Size	D1 Max.	D2 Min.	D3 Max.	L1 Max.	L2 Max.	L3 ±0.2	SW
18	36.5	20.0	32.0	76.0	51.1	3.5	32.0

## YHGE8E...B-03, -14 / 90° Plug

YHGE8E...B-14  
VG96929 Style G

EMI 그라운드 핑거 타입의 코넥터로 90° 엔드벨에 EMI 브레이드를 고정 사용 및 부트를 사용할 수 있음. Metric 클리핑 접점 사용.

EMI ground finger type connector. Can use EMI blades and boots at 90° end bell. Uses metric clamping contact.



YHGE8E...B-03

EMI 그라운드 핑거 타입 아님.

Not EMI ground finger type.

UNIT: mm

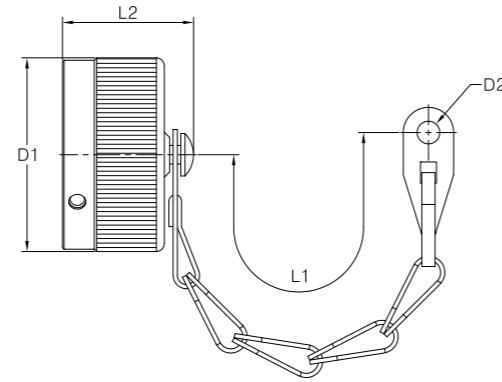
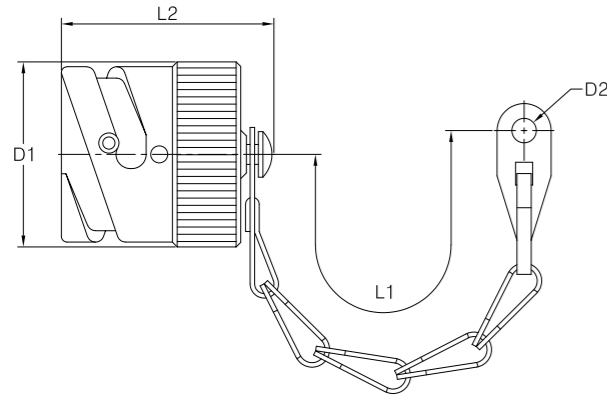
Shell Size	D1 Max.	D2 Min.	L1 Max.	L2 Max.	L3 Max.	L4 ±0.2	L5 Max.	SW
28	53.5	48.0	102.0	79.0	41.5	3.2	58.0	50.0

# Accessories

## Metal Dust Caps With Chain

YH95234KB Style

YH95234KR Style



UNIT: mm

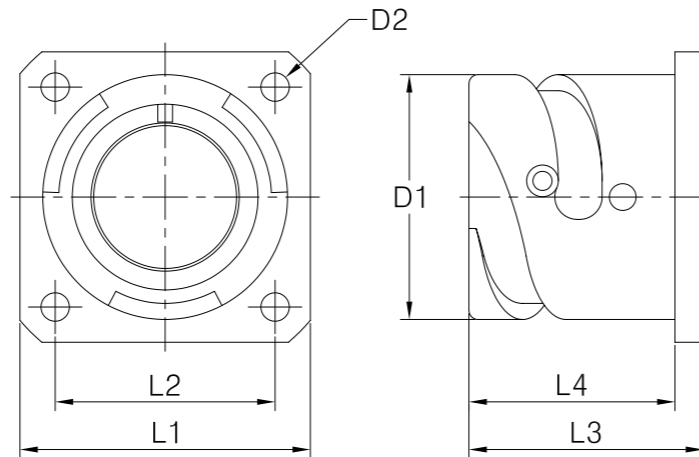
Part Number	D1 Max.	D2 +0.5 -0.2	L1	L2 Max.	Part Number	D1 Max.	D2 +0.5 -0.2	L1	L2 Max.
YH95234KB18	33.5	4.3	115.0	37.0	YH95234KR18	37.5	4.3	100.0	25.0
YH95234KB22	40.0	4.7	130.0	37.0	YH95234KR22	44.0	4.3	115.0	25.0
YH95234KB28	49.5	4.7	190.0	37.0	YH95234KR28	54.5	5.5	160.0	25.0
YH95234KB32	56.0	5.5	190.0	37.0	YH95234KR32	61.0	5.5	160.0	25.0

## Dummy Receptacle

VG95234 Style BOD

패널 전면에 장착.  
패널 장착 홀은 관통구멍임.

Installed at the front panel.  
Panel mounting hole is a through-hole type.



UNIT: mm

Shell Size	Part Number	D1 +0.00 -0.15	D2 ±0.2	L1 ±0.3	L2 ±0.1	L3 Max.	L4 +0.3 -0.0
18	YH3105E18-B	30.80	3.2	35.0	27.0	23.5	19.0
22	YH3105E22-B	37.40	3.2	41.0	31.8	23.5	19.0
28	YH3105E28-B	46.70	3.7	50.8	39.7	25.5	20.6
32	YH3105E32-B	53.40	4.3	57.0	44.5	27.0	22.2

