



## 개요 (Overview)

# YH series

**VG95234 Style Connector**  
**ISO 9001 / ISO 14001**

VG95234 규격과 일치하는, YH-Bayonet 시리즈 커넥터입니다. 이 커넥터는 MIL-DTL-5015의 나사식 결합방식을 bayonet 방식으로 개량하여 결합/분리가 쉽도록 제작된 커넥터입니다. 진동에 의한 유체 침투로부터 보호를 목적으로 하는 곳에 사용하는데 적합하도록 설계된 제품이며, 결합/분리가 쉽도록 설계 되었습니다. 항공기 및 군용 차량, 전차, 배등의 장비 및 정보통신장비 등에 사용되고 있습니다.

The YH-Bayonet Connector Series was designed in accordance with the VG95234 specification. The connectors' bayonet coupling method, improved from screw-type MIL-DTL-5015, provide easy mating/unmating. The product was designed to be used for protection from penetration of fluids by vibration and provides easy mating/unmating. It is used as parts and communication devices in aircraft and military vehicles, electric vehicles, and ships.

<b>Introduction</b>	Overview	3		
	Ordering Information	4		
	Technical data	6		
	Mounting Holes	8		
	Information about insulator contact	10		
	Contact Arrangement	11		
	Alternate Insert Position	13		
<b>YHB Series</b>	VG95234 Style	Box Mounting Receptacle	14	
		Thru-Bulkhead Receptacle	15	
		Straight Plug, Shielded	16	
		Wall Mounting Receptacle	17	
		Receptacle For Front Panel Mounting	18	
		Straight Plug	24	
		Jam Nut Receptacle	30	
		Plug 90° Shielded	31	
		VG/YH-B, YHB Contact	Pin Contacts (AWG, Metric)	33
			Socket Contacts (AWG, Metric)	34
			Pin Contacts	35
		VG95234 Style Accessories	Metal Dust Caps With Chain	36
			Dummy Receptacle	36
			Cable Clamps	37
			Rubber bushing	37
		Angular O-ring for sealing	38	
		Sealing plug	38	

## 절연체 (Insulator)



	NBR(Nitrile Butadiene Rubber)	CR(Chloprene Rubber)
<b>장점</b>	내유성이 우수함(경유, 휘발유)	내후성, 내약품성, 내유성, 난연성, 오존성, 내열성, 노화성이 우수함
	내마모성, 내수성, 내노화성이 우수함	가스 투과성이 적음
		접착력이 우수함
		굴곡파열성, 내마모성이 우수함
<b>가격</b>	낮음	높음

연함정밀에서는 NBR보다 가격 및 성능면에서 우수한 CR고무를 사용한 절연체 제품만을 생산하여 사용하고 있습니다.

	NBR(Nitrile Butadiene Rubber)	CR(Chloprene Rubber)
<b>Merit</b>	Excellence of Fluid-resistance (Diesel, Gasoline)	Excellence of Weather-resistance, Chemical Agent, Fluid-resistance, Flameability, Heat-resistance, Heat Aging test and Ozone-resistance
	Excellence of Abrasion-resistance, Water-Resistance and Heat Aging test	Low in Permeability of gas
		High level of adhesion
		Excellence of Flexibility and Abrasion-resistance
		Heat-resistance, it is able to stand up to +150
<b>Price</b>	Lower	Higher

Yeonhab Precision has produced and use and Insulator of only use a CR rubber, which was excellent price and performance compare with NBR.

**Ordering Info: Green World Technologies Corporation**  
**www.gworldtech.com sales@gworldtech.com**  
**Ph. 1 (310) 774-0919 Fax: 1 (310) 217-0091**

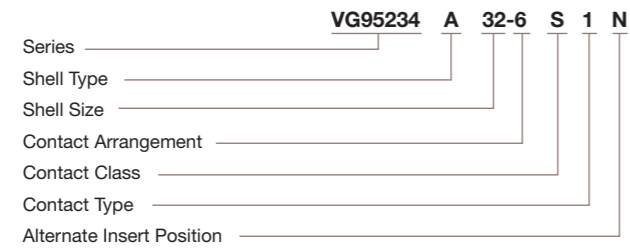
# YH series

VG95234 Style Connector  
ISO 9001/ISO14001



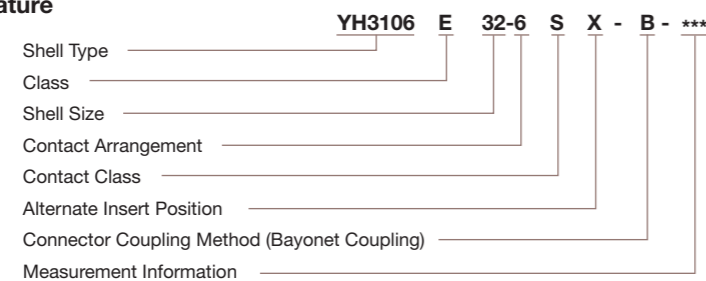
주문 정보 (Ordering Information)

## VG Nomenclature



- **Series VG95234**
- **Shell Type**  
J1, J2, N1, N2, S1, U1, U2 - Wall Mounting Receptacle  
F - Cable Connection Plug  
A, B1, B2 - Box Mounting Receptacle  
C1, C2 - Bulkhead Receptacle  
D, G, H, L, M, R1 - Straight Plug  
E, E1, K - Plug 90°
- **Shell Size**  
10SL, 14S, 16S, 16, 18, 20, 22, 24, 28, 32, 36
- **Contact Arrangement**  
Refer to VG95234 specification
- **Contact Class**  
P - Pin Contact  
S - Socket Contact
- **Contact Type**  
Letter 1 indicates the electrical wire size.
- **Alternate Insert Position**  
Refer to VG95234 specification.
- **VG Accessories**  
VG95234 BOD - Dummy Receptacle  
VG95234 DA - Gaskets, Front Mount  
VG95234 DH - Gaskets, Rear Mount  
VG95234 KR - Protecting Caps  
VG95234 KB - Protecting Caps  
VG95234 KK - Cable Caps  
VG95234 KT - Bushing

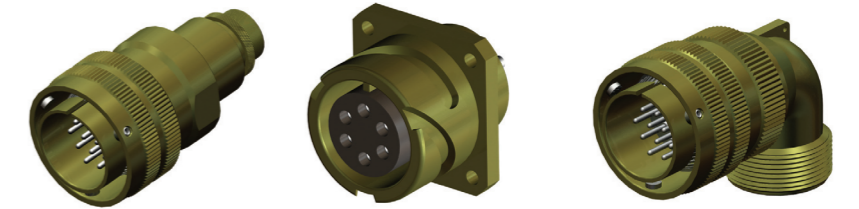
## YEONHAB Nomenclature



- **Shell type**  
YH3100 - Wall Mounting Receptacle  
YH3101 - Cable Connection Plug  
YH3102 - Box Mounting Receptacle  
YH3106 - Plug, Straight  
YTBF - Bulkhead Receptacle
- **Environmental rating**  
E - appropriately uses clamp and bushings in flexible rubber insulator and end bell.
- **Shell size**  
10SL, 14S, 16S, 16, 18, 20, 22, 24, 28, 32, 36
- **Contact Arrangement**  
Refer to the VG95234 specification and MIL-STD-1651.
- **Contact Class**  
P - Pin Contact  
S - Socket Contact
- **Alternate Insert Position**  
Refer to the VG95234 specification and MIL-STD-1651.
- **Connector Coupling Method**  
Bayonet Coupling
- **Measurement Information**  
01-Metric clamping contact  
02-Uses heat shrink boots in adaptor. AWG clamping contact  
03-Uses heat shrink boots in adaptor. Metric clamping contact  
04-Rear Mount. Screw-type hole flange. Metric clamping contact  
05-Rear Mount. Screw-type hole flange. Soldering type contact (YH3100, YH3102, YTBF applied)  
06-Heat shrink boot adaptor. Screw-type hole flange. Soldering type contact  
08-90° end bell. Screw-type hole flange (YH3100 applied)  
09-90° end bell. Through-hole flange (YH3100 applied)  
13 - shield version. Soldering type contact  
14 - shield version. Metric clamping contact.  
15 - shield version. AWG clamping contact.  
32 - end bell structure for shield system cable. MTV6145-005.  
109-F80. Rear Amount. Screw-type flange(YH3102 applied)  
111-Rear amount. screw-type flange(YH3102 applied). Soldering type contact.  
F80-AWG clamping contact.  
A232 - Zinc cobalt plating(black)

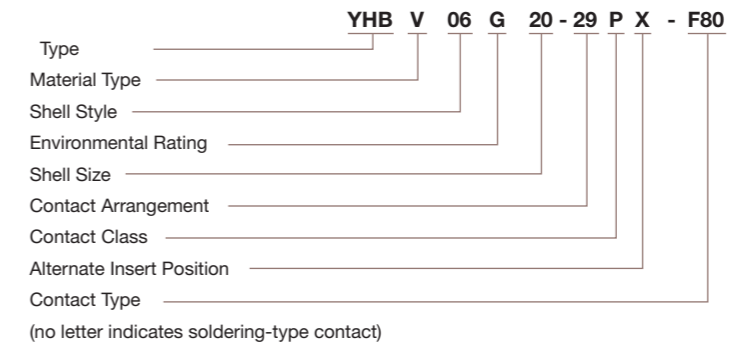
# YH series

VG95234 Style Connector  
ISO 9001/ISO14001



주문 정보 (Ordering Information)

## YEONHAB Nomenclature



- **Product Type**  
YHB-General connector  
YHBG-EMI Ground Finger type connector
- **Material Type**  
Blank - Standard(CR) insulator  
V - Silicon(SR) insulator
- **Shell Style**  
01 - In-Line Receptacle  
02/00 - Front Panel Mount Receptacle  
03/030 - Rear Panel Mount Receptacle  
06 - Straight Plug  
07 - Single Hole Mount Jamnut Receptacle, No Rear Thread  
070 - Single Hole Mount Jamnut Receptacle, With Rear Thread  
08 - 90°Plug
- **Shell Size**  
10SL, 14S, 16S, 16, 18, 20, 22, 24, 28, 32, 36
- **Contact Arrangement**  
Refer to the VG95234 specification and MIL-STD-1651.
- **Alternate Insert Position**  
Refer to the VG95234 specification and MIL-STD-1651.
- **Contact Type**  
F80-AWG clamping contact  
CR-Metric clamping contact  
Blank - soldering contact
- **Environmental Rating**  
It is based on the accessories and backshell that seal according to each rating.  
G - heat shrink boots are used for end bell accessories. includes grommet and bushing. (applicable to 01,00,030, 06)  
AG - excludes grommet and bushing from G rating  
R - other accessories are used for end bell accessories. includes grommet and bushing. (08-90 end bell)  
SB - EMI blade and heat shrink boots used. includes grommet and bushing.  
SBT - EMI blade, heat shrink ring and heat shrink boots used. includes grommet and bushing.  
F - includes cable clamp and rubber bushing.  
AF- excludes grommet and bushing from F rating  
FP - the panel mounting hole is a through-hole type  
RG - EMI coil ground finger tyle (applicable to 07, 070)
- **Contact class**  
P - Pin Contact  
S - Socket Contact

# YH series

VG95234 Style Connector  
ISO 9001/ISO14001



## 기술적 정보 (Technical Data)

### Electrical Information

Electrical Information (+20°C)

Contact Rating		Max. Current A
Metric	AWG	
10	-	8
15/15S	16/16S	22
25	12	41
60/100	8	74
160	4	135
500	0	245

### Contact Resistance

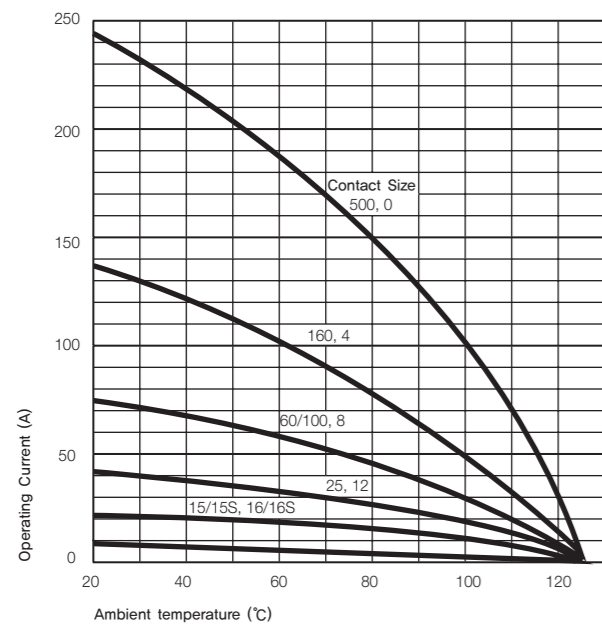
VG95319 Part 2의 시험번호 5,12와 VG95210 Part 32의 시험조건 B와 일치할 것.

표준(CR) 절연체 > 1000MΩ  
실리콘(SR) 절연체 > 5000MΩ

Required to meet the testing no. 5.12 in Part 2 of VG95319 and testing condition B in Part 32 of VG95210.

Standard(CR) insulator > 1000MΩ  
Silicon(SR) insulator > 5000MΩ

### Current Rating (according to ambient temperature)



### Contact Resistance (Milivolt testing)

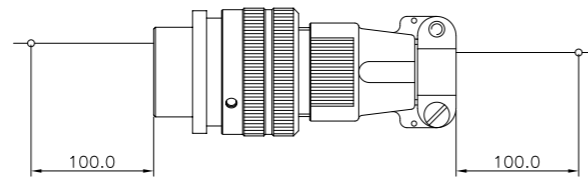
Voltage testing per service rating	
Service Rating	Testing Voltage (Vrms)
Instruments	1050
A	1600
B	4000
D	2500
E	3000

Required to meet the testing no. 5.13 in Part 2 of VG95319 and Part 31 of VG95210

Air and Creepage Paths(Min.) (UNIT: mm)

Voltage Rating	Instr.	A	D	E
Air and Creepage Paths	0.70	1.10	2.80	4.80

### Contact Resistance (Milivolt testing)



Contact Resistance is tested according to the testing no. 5.10.1 in Part 2 of VG95234 and Part 37 of VG95210. It represents the actually measured point.

Contact Rating		Max. Current mΩ
Metric	AWG	
10	-	12
15S/15	16/16S	6
25	12	3
60/100	8	1
160	4	0.5
500	0	0.2

## 기술적 정보 (Technical Data)



### Mechanical characteristics

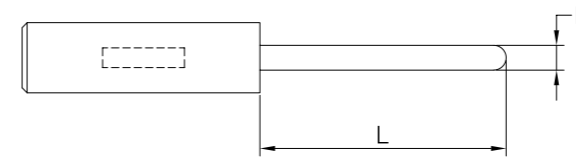
Material	Temperature range
Standard(CR) insulator	-55°C ~ +125°C
Silicon(SR) insulator	-30°C ~ +200°C
Vibration testing	200%에서 10~2000Hz
Coupling testing	Min. 500 times

### Contact Separating Force

Contact Size		Separating Force(Min)	
Metric	AWG	N	Gauge
10	-	0.30	G 0.99
15S/15	16S/16	1.00	G 1.56
25	12	1.50	G 2.36
60/100	8	3.00	G 3.58
160	4	4.00	G 5.69
500	0	8.50	G 9.04

Separating force needs to be measured accurately according to the testing no. 5.7 in Part 2 of VG95319. A testing gauge is used.

### Gauge (VG95234, Part 1)



Gauge	D	L
	+0.01 -0.00	+0.00 -1.00
G 0.99	0.99	7.00
G 1.56	1.56	9.00
G 2.36	2.36	12.00
G 3.58	3.58	13.00
G 5.69	5.69	13.00
G 9.04	9.04	13.00

### Coupling Torque

Shell Size	Approved Coupling Torque	
	Locking and unlocking Nm Max.	unlocking Nm Min
10SL	1.70	0.15
14S	3.60	0.35
16S/16	5.50	0.46
18	8.00	0.58
20	9.00	0.70
22	11.00	0.80
24	14.00	0.80
28	17.00	0.92
32	19.00	1.03
36	23.00	1.03

Coupling torque is tested according to the testing no. 5.8.2 in Part 2 of VG95319.

### Contact Retention Force

Contact Size		Testing power N
Metric	AWG	
10	-	30
15S/15	16S/16	35
25	12	55
60/100	8	80
160	4	90
500	0	95

Contact Retention Testing must meet the testing no. 5.4 in Part 2 of VG95319. Testing power direction = locking direction.

### Material and protection coating

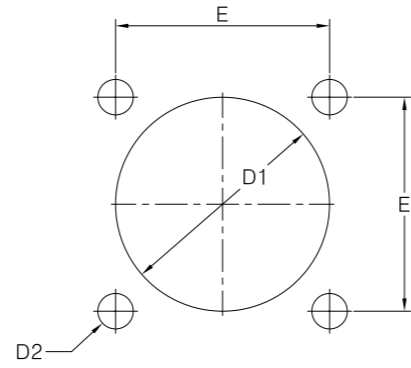
Body	aluminum alloy
Standard protection coating	cadmium plating(viridescent color) on top
Substitute protection coating	Zinc cobalt plating(black)
Insulator and grommet	Chloroprene Rubber(standard) Silicone Rubber(for high temperature)
Contact	Copper alloy
Protection coating	Hard silver plating

# YHB Series (VG95234 Style)

## Mounting Holes

장비에 사각형 코넥터 장착을 위하여 패널에 구멍을 뚫는다  
 VG95234 Style A, B1, B2, C1, C2, J1, J2, N1, N2 적용.  
 YH-B 시리즈 YH3100E-B, YH3102E-B, YTFB-B 적용.

Holes are made in the panel to mount the quadrangle connector on the equipment.  
 Applicable to VG95234 Style A, B1, B2, C1, C2, J1, J2, N1, N2.  
 Applicable to YH-B Series including YH3100E-B, YH3102E-B, YTFB-B.



UNIT: mm

Shell Size	E ±0.15	D1		D2		D2	
		H12		H13		Screws To Be Used	
		Style A YH3102E-B	Style B1,B2,C1,C2 J1,J2,N1,N2 YH3100E-B YTFB-B/-05	Style A,B2,C2,J2,N2 YH-B Mod.-05	Style B1,C1,J1,N1 YH3100E-B YH3102E-B	Style A,B2,C2,J2,N2 YH-B Mod.-05	Style B1,C1,J1,N1 YH3100E-B YH3102E-B YTFB-B
10SL	18.20	16.4	18.5	3.4	4.5	DIN 85-M3...	DIN 84-M4...
14S	23.00	19.7	24.9	3.4	4.5	DIN 85-M3...	DIN 84-M4...
16S	24.60	22.9	27.7	3.4	4.5	DIN 85-M3...	DIN 84-M4...
16	24.60	22.9	27.7	3.4	4.5	DIN 85-M3...	DIN 84-M4...
18	27.00	26.1	31.1	3.4	4.5	DIN 85-M3...	DIN 84-M4...
20	29.40	29.5	34.5	3.4	4.5	DIN 85-M3...	DIN 84-M4...
22	31.80	32.7	37.8	3.4	4.5	DIN 85-M3...	DIN 84-M4...
24	34.90	36.0	41.3	3.9	4.5	DIN 85-M3.5...	DIN 84-M4...
28	39.70	42.0	47.1	3.9	5.5	DIN 85-M3.5...	DIN 84-M5...
32	44.50	48.3	53.8	4.5	5.5	DIN 85-M4...	DIN 84-M5...
36	49.20	54.6	60.0	4.5	5.5	DIN 85-M4...	DIN 84-M5...

## Harnessing

VG95234 코넥터는 하네스에 사용되는 개개의 전선을 위해 설계되었습니다. 완전 밀봉을 위해서 MIL-W-5086, LN9251(AWG 전선) 그리고 TL6145-009와 TL6145-011(metric 전선)과 일치하는 전선을 사용해야만 보증할 수 있습니다. 모든 다른 전선들은 표에 제공 되어진 자료로 전선과 절연체 외경들에 따라야 합니다.

VG95234 connector was designed for individual wires used for harnessing. Complete sealing is guaranteed only when the wires that match MIL-W-5086, LN9251(AWG wire), TL6145-009, and TL6145-011(metric wire) are used. All other wires need to follow the wires and insulator external diameter provided in the table.

Contact Size		Clamping and soldering type contact		Insulator external diameter	
AWG	Metric	AWG	Metric	AWG	Metric
			mm <sup>2</sup>		mm
-	10	-	0.75-1.00	-	2.20-2.50
16S/15S	16/15	16	0.75-1.50	2.20-2.80	2.20-2.80
12	25	12	2.50	3.10-3.50	3.10-3.50
-	60	-	6.00	-	4.40-4.90
8	100	8	10.00	5.50-6.50	5.90-6.50
4	160	4	16.00	8.50-9.40	7.10-7.70
0	500	0	50.00	11.50-13.00	12.10-12.80

## Wire Stripping

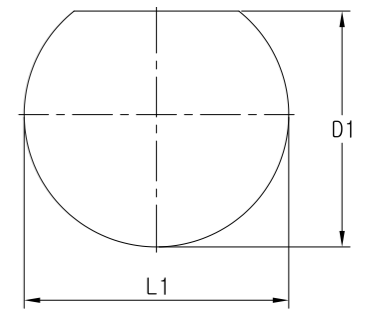
기계적 탈피 또는 고온 탈피 중 익숙한 방법을 택하여 탈피한다.  
 도체 또는 절연체의 손상을 방지한다. 납땜용 접점은 납땜 작업이 용이하도록 탈피된 도체에 주석을 입힌다.

Either mechanical stripping or high temperature stripping needs to be used. Damage to the conductor or insulator is to be prevented. Tin is coated on the stripped conductor for easy soldering with soldering type contact.

Contact Size		Stripping length
AWG	Metric	mm
-	10	4.0
16S/15S	16/15	6.2
12	25	6.2
8	60/100	11.8
4	160	11.8
0	500	13.7

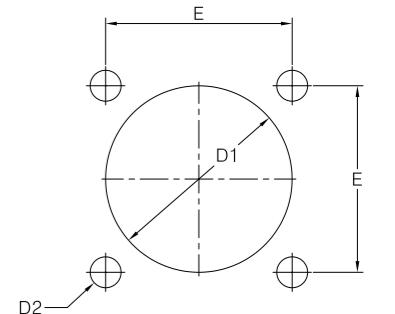
# YHB Series (VG95234 Style)

## Mounting Holes



## YHB07, 070 Application

Size	D1 +0.25 -0.00	L1 +0.00 -0.35
10SL	22.40	21.00
14S	28.75	27.40
16S/16	31.95	30.95
18	35.10	33.75
20	38.30	36.85
22	41.45	40.05
24	44.65	43.35
28	51.00	49.55
32	57.35	55.95
36	63.70	62.35



## YHB02 Application

Size	D1	D2		E ±0.1
		H13	Screw hole application	
10SL	17.0	3.4	4.5	18.2
14S	20.0	3.4	4.5	23.0
16S/16	23.0	3.4	4.5	24.6
18	26.5	3.4	4.5	27.0
20	30.0	3.4	4.5	29.4
22	33.0	3.4	4.5	31.8
24	36.0	3.9	5.5	34.9
28	42.0	3.9	5.5	39.7
32	48.5	4.5	5.5	44.5
36	55.0	4.5	5.5	49.2

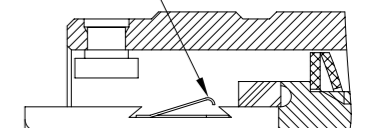
## YHB00, 03, 030 Application

Size	D1	D2		E ±0.1
		H13	Screw hole application	
10SL	19.1	3.4	4.5	18.2
14S	25.5	3.4	4.5	23.0
16S/16	28.3	3.4	4.5	24.6
18	31.7	3.4	4.5	27.0
20	35.0	3.4	4.5	29.4
22	38.3	3.4	4.5	31.8
24	41.8	3.9	5.5	34.9
28	47.6	3.9	5.5	39.7
32	54.3	4.5	5.5	44.5
36	60.5	4.5	5.5	49.2

## EMI Ground Finger Type Connector Yeonhab Precision

VG95234 Style "M", "L", "K"  
 Yeonhab Precision Style "YH3106E-B-13-14-15", "YHBG"(06, 08)

## EMI Ground Finger

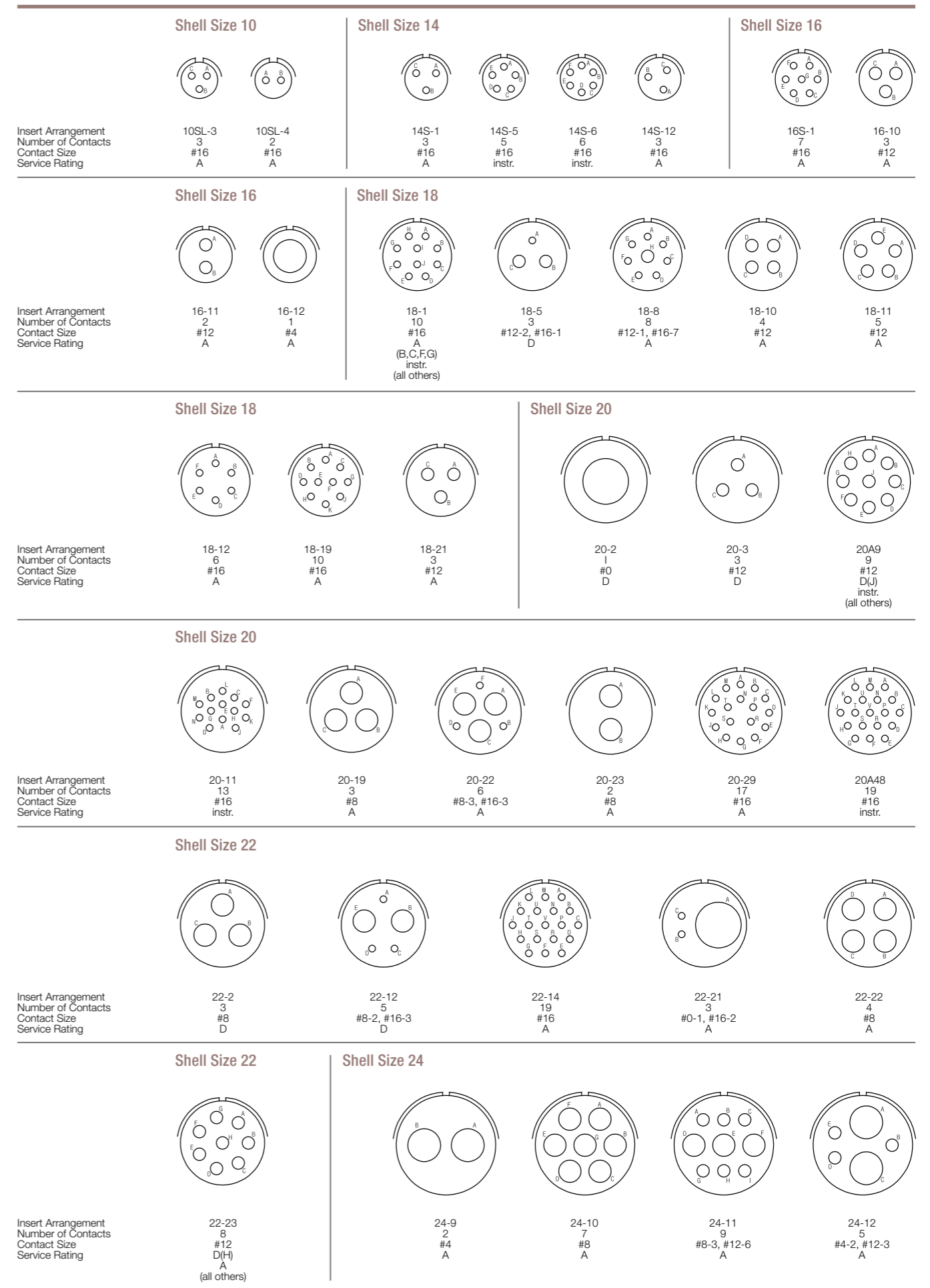


# Information about Insulator Contact Arrangement

Contact Arrangement	VG. Contact Arrangement	Service Rating	Total No. of Contact	Contact Size										Alternate Insert Position					
				Metric/AWG					Metric					W	X	Y	Z		
				15S/16S	15/16	25/12	8	4	0	60	100	160	500						
10SL-3	10SL-3	A	3	3															
10SL-4	10SL-4	A	2	2															
14S-1		A	3	3															
14S-5		I	5	5											110				
14S-6	14S-6	I	6	6															
14S-12		A	3	3															
16S-1	16S-1	A	7	7											80				280
16-10	16-10	A	3			3									90	180		270	
16-11		A	2			2									35	110	250	325	
16-12	16-12	A	1																
18-1	18-1	A, I	10			10									70	145			290
18-5		D	3			1	2								80	110	250	280	
18-8		A	8			7	1								70				290
18-10		A	4			4										120	240		
18-11	18-11	A	5			5										170	265		
18-12		A	6			6									80				280
18-19		A	10			10										120	240		
18-21		A	3			3													
20-2	20-2	D	1													1			
20-3		D	3			3									70	145	215	290	
20A9	20A9	D, I	9			9										110	250		
20-11		I	13			13													
20-19		A	3												90	180	270		
20-22		A	6			3									80	110	250	280	
20-23		A	2												35	110	250	325	
20-29		A	17			17									80				280
20A48	20A48	I	19			19										80	280		
22-2	22-2	D	3												70	145	215	290	
22-12	22-12	D	5			3									80	110	250	280	
22-14	22-14	A	19			19									80				280
22-21		A	3			2									80	110	250	280	
22-22	22-22	A	4													110	250		
22-23		A, D	8			8									35				250
24-9		A	2												35	110	250	325	
24-10	24-10	A	7												80				280
24-11	24-11	A	9			6	3								35	110	250	325	
24-12	24-12	A	5			3									80	110	250	280	
24-20		D	11			9	2								80	110	250	280	
24-22		D	4												45	110	250		
24-28		I	24			24									80	110	250	280	
24-67		A	19			19									80				335
24A28		I	28			28										65	146	235	
28-5		D	5			2	1								35	110	250	325	
28-6		D	3												70	145	215	290	
28-9		D	12			6	6								80	110	250	280	
28-10		A, D	7			3	2	2							80	110	250	280	
28-11	28-11	A	22			18	4								80	110	250	280	
28-15		A	35			35									80	110	250	280	
28-21	28-21	A	37			37									80	110	250	280	
28-22		D	6			3									70	145	215	290	
28A16		A, I	9			5													
32-1	32-1	E, D	5			3									80	110	250	280	
32-5		D	2												35	110	250	325	
32-7	32-7	A, I	35			28	7								80	125	235	280	
32-15		D	8			6									35	110	250	325	
32-17		D	4												45	110	250		
32A-5		A	5												90	180	270		
32A-22		A	22			20									55	135	230	295	
36-3		D	6			3									70	145	215	290	
36-5	36-5	A	4													120	240		
36-6	36-6	A	6												35	110	250	325	

The above arrangement has been developed by the Company for VG95234 specification and MIL-STD-1651 arrangement.  
 \* For other necessary arrangement than the above arrangement, refer to the MIL-STD-1651 arrangement and contact the Company for development of other arrangements.

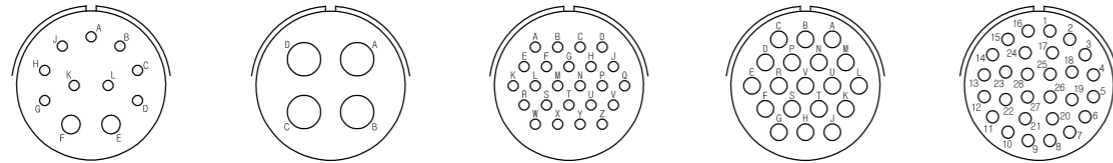
# VG95234 Style 접점 배열도 (Contact Arrangements)



1. viewed from the front of Pin insert (+ insulator)  
 2. Contact the Company for other information not contained in the above figure.

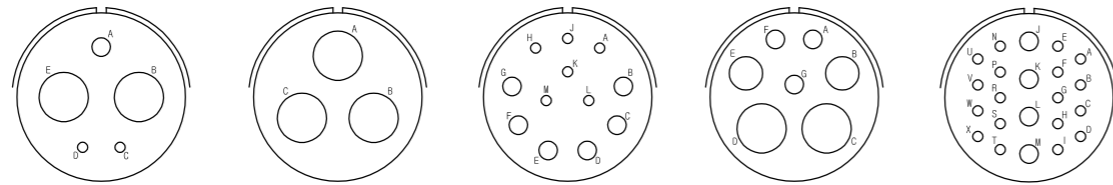
# VG95234 Style 접점 배열도 (Contact Arrangements)

Shell Size 24



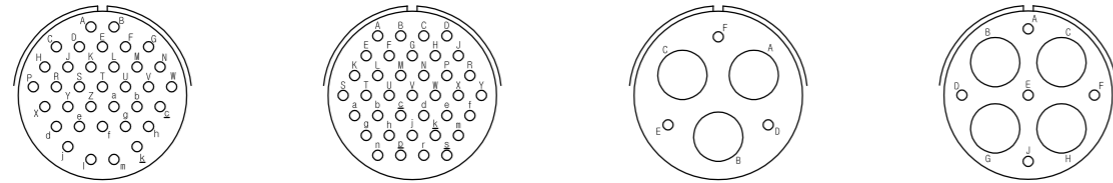
Insert Arrangement	24-20	24-22	24-28	24-67	24A28
Number of Contacts	11	4	24	19	28
Contact Size	#12-2, #16-9	#8	#16	#12	#16
Service Rating	D	D	instr.	A	instr.

Shell Size 28



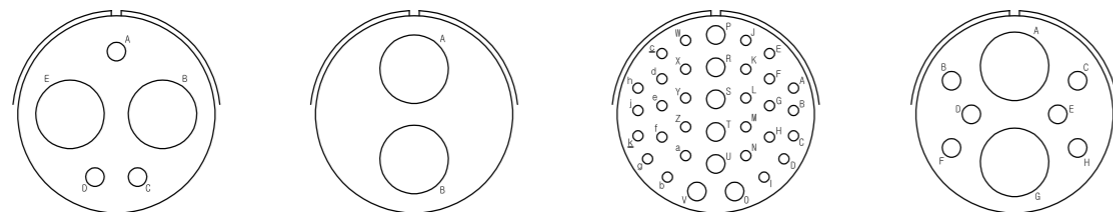
Insert Arrangement	28-5	28-6	28-9	28-10	28-11
Number of Contacts	5	3	12	7	22
Contact Size	#4-2, #12-1, #16-2	#4	#12-6, #16-6	#4-2, #8-2, #12-3	#12-4, #16-18
Service Rating	A	D	D	A (A,B,C,D,E,F) D(G)	A

Shell Size 28



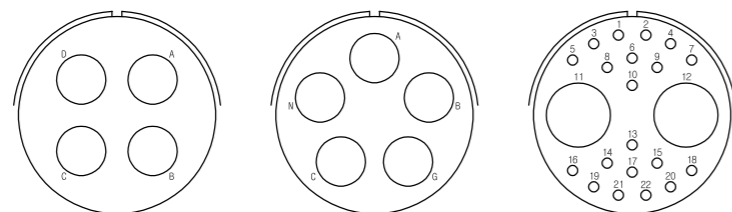
Insert Arrangement	28-15	28-21	28-22	28A16
Number of Contacts	35	37	6	9
Contact Size	#16	#16	#4-3, #16-3	#4-4, #16-5
Service Rating	A	A	D	A(E) instr. (all others)

Shell Size 32



Insert Arrangement	32-1	32-5	32-7	32-15
Number of Contacts	5	2	35	8
Contact Size	#0-2, #12-3	#0	#12-7, #16-28	#0-2, #12-6
Service Rating	E(A) D (all others)	D	instr. (A,B,U,I) A(all others)	D

Shell Size 32

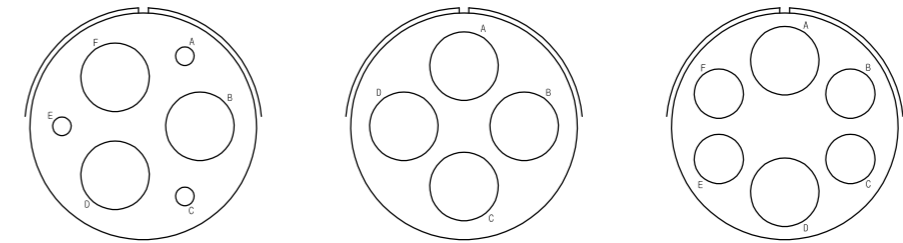


Insert Arrangement	32-17	32A-5	32A-22
Number of Contacts	4	5	22
Contact Size	#4	#4	#0-2, #16-20
Service Rating	D	A	A

1. viewed from the front of Pin insert (+ insulator)  
2. Contact the Company for other information not contained in the above figure.

# VG95234 Style (Contact Arrangements)

Shell Size 36



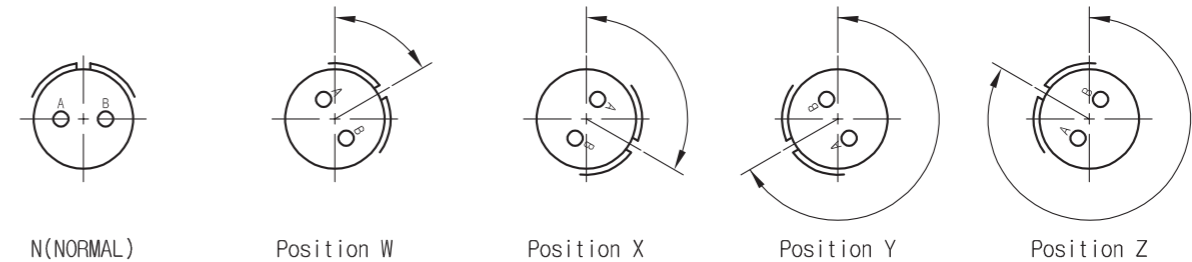
Insert Arrangement	36-3	36-5	36-6
Number of Contacts	6	4	6
Contact Size	#0-3, #12-3	#0	#0-2, #4-4
Service Rating	D	A	A

1. viewed from the front of Pin insert (+ insulator)  
2. Contact the Company for other information not contained in the above figure.

## 절연체 회전위치 (Alternate Insert Positions)

키 회전 문자 W, X, Y, Z에 따라 회전하며, 문자 표시가 없거나 문자가 N인 경우는 중심선(Centerline)에 절연체 키홀이 위치한다. 코넥터의 절연체 배열 및 회전 위치는 VG95234 및 MIL-STD-1651에 따른다. 위 배열 외 개발 가능 배열은 당사에 문의 바랍니다.

It rotates following the key rotation letters W, X, Y, and Z. If there is no letter or the letter is N, insulator key hole is located at the center line. Insulator arrangement and rotation position of the connector follows VG95234 specification and MIL-STD-1651. Contact the Company for other possible arrangement that can be developed.



View looking into front face of pin insert or rear of socket insert.

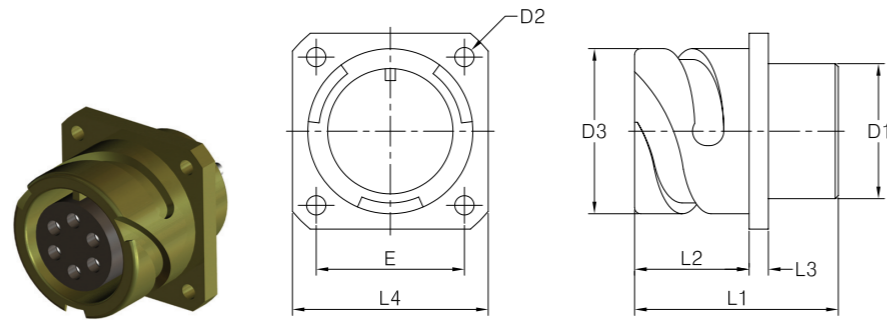
# YHB Series (VG95234 Style)

## Box Mounting Receptacle

### VG95234 Style A

YH3102E-B 와 옵션에 따른 개량 정보 참조  
정사각형 플랜지형상이며 패널의 앞쪽에 장착함.  
(패널이 플랜지 후면에 붙음)  
패널 장착 홀은 구멍임.

Refer to the measurement information following  
YH3102E-B and options. Square flange type and  
mounted in front of the panel (panel is positioned at the  
back of flange). Panel mounting hole is a hole type.



UNIT: mm

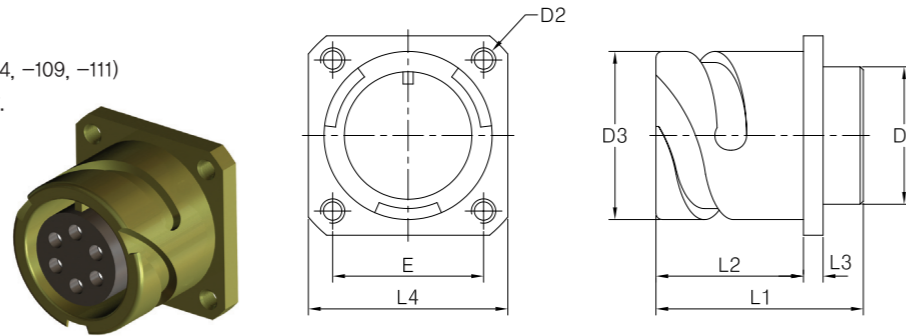
Part Number	D1 Max.	D2 H13	D3 +0.00 -0.15	E ±0.1	L1 ±0.3	L2 +0.4 -0.0	L3 ±0.2	L4 ±0.3
YH3102E10SL--B-***	16.2	3.2	18.20	18.2	24.7	14.2	2.8	25.4
YH3102E12S--B-***	16.2	3.2	21.40	20.6	24.7	14.2	3.2	28.0
YH3102E14S--B-***	19.2	3.2	24.60	23.0	24.7	14.2	3.2	30.0
YH3102E16S--B-***	22.4	3.2	27.40	24.6	24.7	14.2	3.2	32.5
YH3102E16--B-***	22.4	3.2	27.40	24.6	33.8	19.0	3.2	32.5
YH3102E18--B-***	25.6	3.2	30.80	27.0	33.8	19.0	4.0	35.0
YH3102E20--B-***	29.0	3.2	34.20	29.4	33.8	19.0	4.0	38.4
YH3102E22--B-***	32.0	3.2	37.40	31.8	33.8	19.0	4.0	41.0
YH3102E24--B-***	35.3	3.7	40.90	34.9	33.8	20.6	4.0	44.5
YH3102E28--B-***	41.4	3.7	46.70	39.7	33.8	20.6	4.0	50.8
YH3102E32--B-***	47.8	4.3	53.40	44.5	33.8	22.2	4.0	57.0
YH3102E36--B-***	52.6	4.3	59.60	49.2	33.8	22.2	4.0	63.5

## Box Mounting Receptacle

### VG95234 Style B1

YH3102E-B 와 옵션에 따른 개량 정보 참조. (-04, -109, -111)  
정사각형 플랜지형상이며 패널의 뒤쪽에 장착함.  
(패널이 플랜지 전면 붙음)  
패널 장착 홀은 나사임.

Refer to the measurement information following  
YH3102E-B and options. (-04, -109, -111)  
Square flange type and mounted at the back of  
the panel (panel is positioned in front of flange).  
Panel mounting hole is a screw type.



UNIT: mm

Part Number	D1 Max.	D2	D3 +0.00 -0.15	E ±0.1	L1 ±0.3	L2 +0.40 -0.00	L3 ±0.2	L4 ±0.3
YH3102E10SL--B-***	16.2	M4x0.7	18.20	18.2	24.7	18.20	2.8	25.4
YH3102E12S--B-***	16.2	M4x0.7	21.40	20.6	24.7	18.20	3.2	28.0
YH3102E14S--B-***	19.2	M4x0.7	24.60	23.0	24.7	18.20	3.2	30.0
YH3102E16S--B-***	22.4	M4x0.7	27.40	24.6	24.7	18.20	3.2	32.5
YH3102E16--B-***	22.4	M4x0.7	27.40	24.6	33.8	21.50	3.2	32.5
YH3102E18--B-***	25.6	M4x0.7	30.80	27.0	33.8	23.05	4.0	35.0
YH3102E20--B-***	29.0	M4x0.7	34.20	29.4	33.8	23.05	4.0	38.4
YH3102E22--B-***	32.0	M4x0.7	37.40	31.8	33.8	23.05	4.0	41.0
YH3102E24--B-***	35.3	M4x0.7	40.90	34.9	33.8	23.05	4.0	44.5
YH3102E28--B-***	41.4	M5x0.8	46.70	39.7	33.8	24.05	4.0	50.8
YH3102E32--B-***	47.8	M5x0.8	53.40	44.5	33.8	24.05	4.0	57.0
YH3102E36--B-***	52.6	M5x0.8	59.60	49.2	33.8	24.05	4.0	63.5

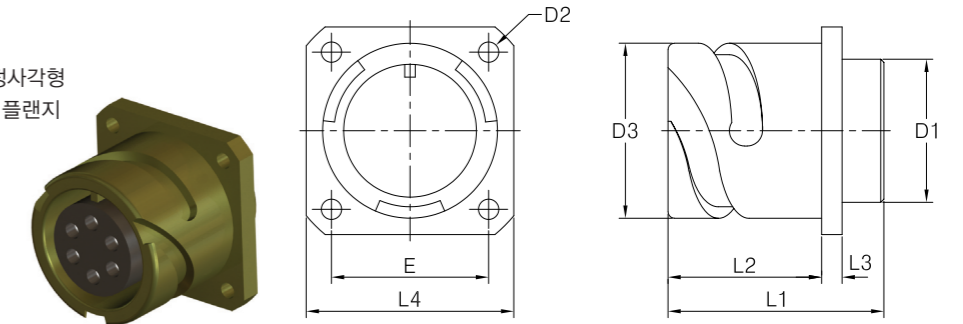
# YHB Series (VG95234 Style)

## Box Mounting Receptacle

### VG95234 Style B2

YH3102E-B 와 옵션에 따른 개량 정보 참조. 정사각형  
플랜지형상이며 패널의 뒤쪽에 장착함.(패널이 플랜지  
전면에 붙음) 패널 장착 홀은 구멍임.

Refer to the measurement information following  
YH3102E-B and options.  
Square flange type and mounted at the back  
of the panel (panel is positioned in front of flange).  
Panel mounting hole is a hole type.



UNIT: mm

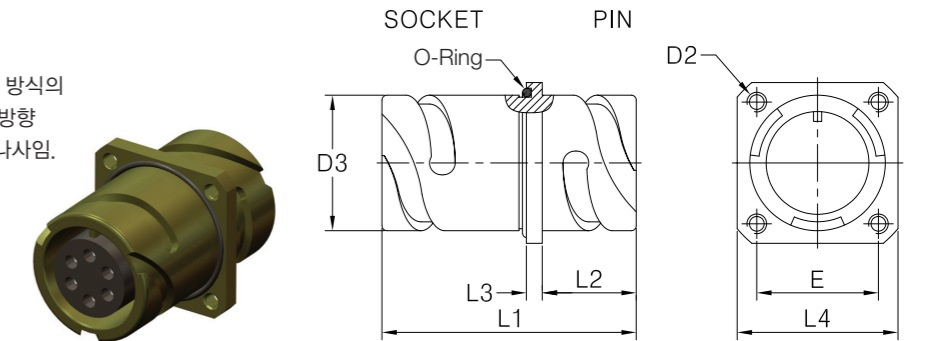
Part Number	D1 Max.	D2 H13	D3 +0.00 -0.15	E ±0.1	L1 ±0.3	L2 +0.40 -0.00	L3 ±0.2	L4 ±0.3
YH3102E10SL--B-***	16.2	3.2	18.20	18.2	24.7	18.20	2.8	25.4
YH3102E12S--B-***	16.2	3.2	21.40	20.6	24.7	18.20	3.2	28.0
YH3102E14S--B-***	19.2	3.2	24.60	23.0	24.7	18.20	3.2	30.0
YH3102E16S--B-***	22.4	3.2	27.40	24.6	24.7	18.20	3.2	32.5
YH3102E16--B-***	22.4	3.2	27.40	24.6	33.8	21.50	3.2	32.5
YH3102E18--B-***	25.6	3.2	30.80	27.0	33.8	23.05	4.0	35.0
YH3102E20--B-***	29.0	3.2	34.20	29.4	33.8	23.05	4.0	38.4
YH3102E22--B-***	32.0	3.2	37.40	31.8	33.8	23.05	4.0	41.0
YH3102E24--B-***	35.3	3.7	40.90	34.9	33.8	23.05	4.0	44.5
YH3102E28--B-***	41.4	3.7	46.70	39.7	33.8	24.05	4.0	50.8
YH3102E32--B-***	47.8	4.3	53.40	44.5	33.8	24.05	4.0	57.0
YH3102E36--B-***	52.6	4.3	59.60	49.2	33.8	24.05	4.0	63.5

## Thru-Bulkhead Receptacle

### VG95234 Style C1

YTBF-B 와 옵션에 따른 개량 정보 참조. 플러그 방식의  
코넥터를 중간에서 연결시켜주는 역할을 하는 양방향  
정사각형 플랜지형상의 제품임. 패널 장착 홀은 나사임.

Refer to the measurement information following  
YTBF-B and options. It is a two-way square  
flange type product that connects plug-type  
connectors in the middle.  
Panel mounting hole is a screw type.



UNIT: mm

Part Number	D2	D3 +0.00 -0.15	E ±0.1	L1 ±0.7	L2 +0.3 -0.0	L3 ±0.2	L4 ±0.3
YTBF-10SL--B-***	M4x0.7	18.20	18.2	37.5	14.2	2.8	25.4
YTBF-12S--B-***	M4x0.7	21.40	20.6	37.5	14.2	3.2	28.0
YTBF-14S--B-***	M4x0.7	24.60	23.0	37.5	14.2	3.2	30.0
YTBF-16S--B-***	M4x0.7	27.40	24.6	37.5	14.2	3.2	32.5
YTBF-16--B-***	M4x0.7	27.40	24.6	51.4	19.0	3.2	32.5
YTBF-18--B-***	M4x0.7	30.80	27.0	51.4	19.0	4.0	35.0
YTBF-20--B-***	M4x0.7	34.20	29.4	51.4	19.0	4.0	38.0
YTBF-22--B-***	M4x0.7	37.40	31.8	51.4	19.0	4.0	41.0
YTBF-24--B-***	M4x0.7	40.90	34.9	51.4	20.6	4.0	44.5
YTBF-28--B-***	M5x0.8	46.70	39.7	51.4	20.6	4.0	50.8
YTBF-32--B-***	M5x0.8	53.40	44.5	51.4	22.2	4.0	57.0
YTBF-36--B-***	M5x0.8	59.60	49.2	51.4	22.2	4.0	63.5

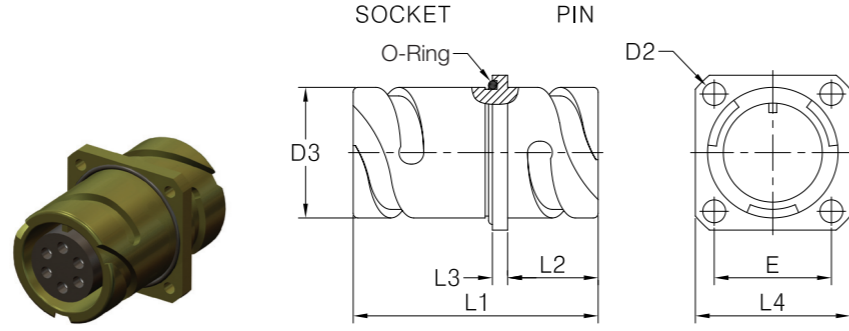
# YHB Series (VG95234 Style)

## Thru-Bulkhead Receptacle

### VG95234 Style C2

YTBF-B 와 옵션에 따른 개량 정보 참조. (-05) 플러그 방식의 코넥터를 중간에서 연결시켜주는 역할을 하는 양방향 정사각형 플랜지형상의 제품임. 패널 장착 홀은 구멍임.

Refer to the measurement information following YTBF-B and options. It is a two-way square flange type product that connects plug-type connectors in the middle. Panel mounting hole is a hole type.



UNIT: mm

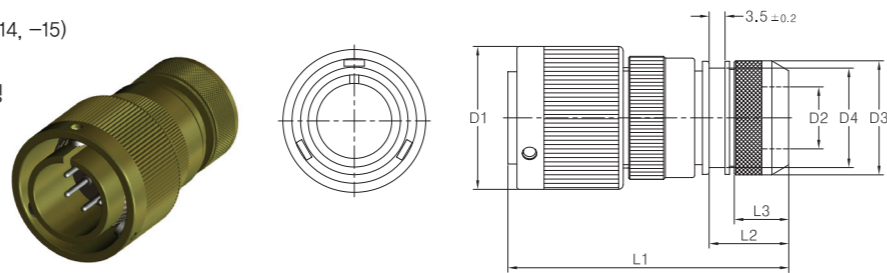
Part Number	D2 H13	D3 +0.00 -0.15	E ±0.1	L1 ±0.7	L2 +0.3 -0.0	L3 ±0.2	L4 ±0.3
YTBF-10SL-**-B-***	3.2	18.20	18.2	37.5	14.2	2.8	25.4
YTBF-12S-**-B-***	3.2	21.40	20.6	37.5	14.2	3.2	28.0
YTBF-14S-**-B-***	3.2	24.60	23.0	37.5	14.2	3.2	30.0
YTBF-16S-**-B-***	3.2	27.40	24.6	37.5	14.2	3.2	32.5
YTBF-16**-B-***	3.2	27.40	24.6	51.4	19.0	3.2	32.5
YTBF-18**-B-***	3.2	30.80	27.0	51.4	19.0	4.0	35.0
YTBF-20**-B-***	3.2	34.20	29.4	51.4	19.0	4.0	38.4
YTBF-22**-B-***	3.2	37.40	31.8	51.4	19.0	4.0	41.0
YTBF-24**-B-***	3.7	40.90	34.9	51.4	20.6	4.0	44.5
YTBF-28**-B-***	3.7	46.70	39.7	51.4	20.6	4.0	50.8
YTBF-32**-B-***	4.3	53.40	44.5	51.4	22.2	4.0	57.0
YTBF-36**-B-***	4.3	59.60	49.2	51.4	22.2	4.0	63.5

## Straight Plug, Shielded

### VG95234 Style M

YH3106E-B 와 옵션에 따른 개량 정보 참조. (-13, -14, -15) EMI 핑거 타입 플러그 코넥터로서 엔드벨 악세사리에 EMI 브레이드와 부트를 사용할 수 있으며, 절연체 패키징 및 부싱이 포함되어 전선 방수가 가능한 구조임.

Refer to the measurement information following YH3106-B and options. (-13, -14, -15) It is an EMI finger type plug connector that can be used with EMI blades and boots in end bell accessories. Includes insulator packing and bushing and its structure makes wire water resistance possible.



UNIT: mm

Part Number	D1 Max.	D2 Min.	D3 ±0.5	D4 Max.	L1 Max.	L2 +0.1 -0.0	L3 ±0.5
YH3106E10SL-**-B-***	22.8	7.7	18.5	16.3	55.0	17.0	7.0
YH3106E12S-**-B-***	26.0	9.3	20.0	17.0	55.0	17.0	7.0
YH3106E14S-**-B-***	29.2	10.6	22.0	20.0	55.0	17.0	7.0
YH3106E16S-**-B-***	32.0	13.5	25.0	23.0	60.0	18.0	8.0
YH3106E16**-B-***	32.0	13.5	25.0	23.0	70.0	18.0	8.0
YH3106E18**-B-***	36.5	14.6	28.0	24.5	70.0	18.0	8.0
YH3106E20**-B-***	39.9	18.5	32.0	28.5	70.0	18.0	10.0
YH3106E24**-B-***	46.6	24.6	38.0	34.5	70.0	18.0	10.0
YH3106E28**-B-***	53.4	27.0	41.0	37.5	70.0	18.0	10.0
YH3106E32**-B-***	60.1	33.3	48.0	44.0	70.0	18.0	10.0
YH3106E36**-B-***	66.3	38.5	55.0	51.0	80.0	18.0	10.0

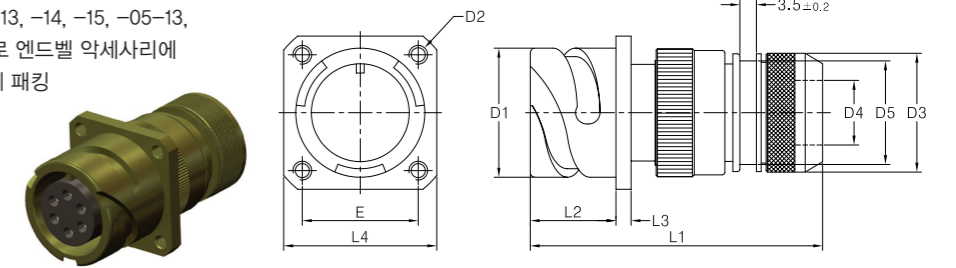
# YHB Series (VG95234 Style)

## Wall Mounting Receptacle

### VG95234 Style N1

YH3100E-B 와 옵션에 따른 개량 정보 참조. (-13, -14, -15, -05-13, -05-04, 05-15) 정사각형 플랜지 타입 코넥터로 엔드벨 악세사리에 EMI브레이드와 부트를 사용할 수 있으며, 절연체 패키징 및 부싱이 포함되어 전선 방수가 가능한 구조임. 패널 장착 홀은 나사임

Refer to the measurement information following YH3106-B and options. (-13, -14, -15, -05-13, -05, -04, 05-15) It is a square flange type connector that can be used with EMI blades and boots in end bell accessories. Includes insulator packing and bushing and its structure makes wire water resistance possible. Panel mounting hole is a screw-type.



UNIT: mm

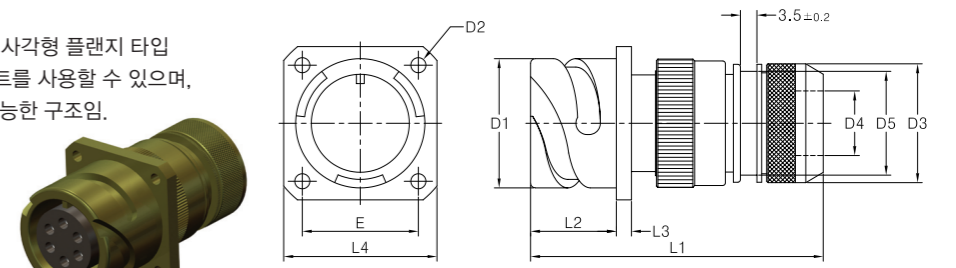
Part Number	D1 +0.00 -0.15	D2 H13	D3 ±0.5	D4 Min.	D5 Max.	E ±0.1	L1 Max.	L2 +0.40 -0.00	L3 ±0.2	L4 ±0.3
YH3100E10SL-**-B-***	18.20	M4x0.7	18.5	7.7	16.3	18.2	55.0	18.20	2.8	25.4
YH3100E12S-**-B-***	21.40	M4x0.7	20.0	9.3	17.0	20.6	58.0	18.20	3.2	28.0
YH3100E14S-**-B-***	24.60	M4x0.7	22.0	10.6	20.0	23.0	58.0	18.20	3.2	30.0
YH3100E16S-**-B-***	27.40	M4x0.7	25.0	13.5	23.0	24.6	70.0	18.20	3.2	32.5
YH3100E16**-B-***	27.40	M4x0.7	25.0	13.5	23.0	24.6	70.0	21.50	3.2	32.5
YH3100E18**-B-***	30.80	M4x0.7	28.0	14.6	24.5	27.0	70.0	23.05	4.0	35.0
YH3100E20**-B-***	34.20	M4x0.7	32.0	18.5	28.5	29.4	70.0	23.05	4.0	38.4
YH3100E24**-B-***	40.90	M4x0.7	38.0	24.6	34.5	34.9	70.0	23.05	4.0	44.5
YH3100E28**-B-***	46.70	M5x0.8	41.0	27.0	37.5	39.7	70.0	24.05	4.0	50.8
YH3100E32**-B-***	53.40	M5x0.8	48.0	33.3	44.0	44.5	75.0	24.05	4.0	57.0
YH3100E36**-B-***	59.60	M5x0.8	55.0	38.5	51.0	49.2	85.0	24.05	4.0	63.5

## Wall Mounting Receptacle

### VG95234 Style N2

YH3100E-B 와 옵션에 따른 개량 정보 참조. 정사각형 플랜지 타입 코넥터로 엔드벨 악세사리에 EMI브레이드와 부트를 사용할 수 있으며, 절연체 패키징 및 부싱이 포함되어 전선 방수가 가능한 구조임. 패널 장착 홀은 구멍임.

Refer to the measurement information following YH3106-B and options. It is a square flange type connector that can be used with EMI blades and boots in end bell accessories. Includes insulator packing and bushing and its structure makes wire water resistance possible. Panel mounting hole is a hole-type.



UNIT: mm

Part Number	D1 +0.00 -0.15	D2 H13	D3 ±0.5	D4 Min.	D5 Max.	E ±0.1	L1 Max.	L2 +0.40 -0.00	L3 ±0.2	L4 ±0.3
YH3100E10SL-**-B-***	18.20	3.2	18.5	7.7	16.3	18.2	55.0	18.20	2.8	25.4
YH3100E12S-**-B-***	21.40	3.2	20.0	9.3	17.0	20.6	58.0	18.20	3.2	28.0
YH3100E14S-**-B-***	24.60	3.2	22.0	10.6	20.0	23.0	58.0	18.20	3.2	30.0
YH3100E16S-**-B-***	27.40	3.2	25.0	13.5	23.0	24.6	70.0	18.20	3.2	32.5
YH3100E16**-B-***	27.40	3.2	25.0	13.5	23.0	24.6	70.0	21.50	3.2	32.5
YH3100E18**-B-***	30.80	3.2	28.0	14.6	24.5	27.0	70.0	23.05	4.0	35.0
YH3100E20**-B-***	34.20	3.2	32.0	18.5	28.5	29.4	70.0	23.05	4.0	38.4
YH3100E24**-B-***	40.90	3.7	38.0	24.6	34.5	34.9	70.0	23.05	4.0	44.5
YH3100E28**-B-***	46.70	3.7	41.0	27.0	37.5	39.7	70.0	24.05	4.0	50.8
YH3100E32**-B-***	53.40	4.3	48.0	33.3	44.0	44.5	75.0	24.05	4.0	57.0
YH3100E36**-B-***	59.60	4.3	55.0	38.5	51.0	49.2	85.0	24.05	4.0	63.5



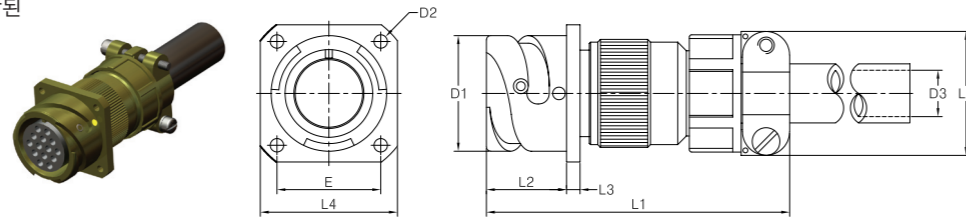
# YHB Series (VG95234 Style)

## Receptacle For Front Panel Mounting

YHB00F와 옵션에 따른 개량 정보 참조. / YHB00AF - 절연체 패킹 및 부싱 제외.

엔드벨에 케이블 클램프와 고무부싱이 포함된 제품이며, 절연체 패킹 및 부싱이 포함되어 전선 방수가 가능한 구조임.  
정사각형 플랜지 형상이며, 패널의 앞쪽에 장착함. (패널이 플랜지 후면에 붙음)

패널 장착 홀은 구멍임.



Refer to the measurement information following YHBOOF and options.  
YHBOOAF - excludes insulator packing and bushing.

Its end bell includes cable clamp and rubber bushing. Includes insulator packing and bushing and its structure makes wire water resistance possible.  
A square flange type and mounted in front of the panel. (Panel is positioned at the back of flange)

Panel mounting hole is a hole-type.

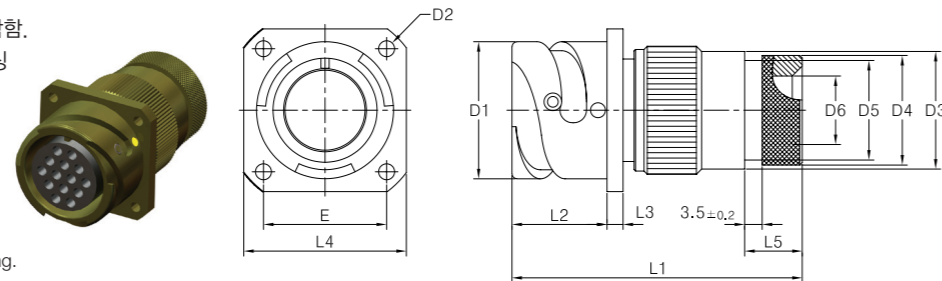
UNIT: mm

Part Number	D1 +0.00 -0.15	D2 H13	D3	E ±0.1	L1 Max.	L2 +0.4 -0.0	L3 ±0.2	L4 ±0.3	L5 Max.
YHB00**-10SL-**-***	18.20	3.2	5.58	18.2	64.0	14.2	2.8	25.4	22.7
YHB00**-14S-**-***	24.60	3.2	7.92	23.0	69.0	14.2	3.2	30.0	27.5
YHB00**-16S-**-***	27.40	3.2	11.09	24.6	71.0	14.2	3.2	32.5	30.0
YHB00**-16-**-***	27.40	3.2	11.09	24.6	82.0	19.0	3.2	32.5	30.0
YHB00**-18-**-***	30.80	3.2	14.27	27.0	82.0	19.0	4.0	35.0	32.2
YHB00**-20-**-***	34.20	3.2	15.87	29.4	82.0	19.0	4.0	38.0	37.5
YHB00**-22-**-***	37.40	3.2	15.87	31.8	83.0	19.0	4.0	41.0	37.5
YHB00**-24-**-***	40.90	3.7	19.05	34.9	87.0	20.6	4.0	44.5	43.3
YHB00**-28-**-***	46.70	3.7	19.05	39.7	93.0	20.6	4.0	50.8	43.3
YHB00**-32-**-***	53.40	4.3	23.79	44.5	99.0	22.2	4.0	57.0	51.7
YHB00**-36-**-***	59.60	4.3	31.75	49.2	100.0	22.2	4.0	63.5	58.0

## Receptacle For Front Panel Mounting

YHB00G와 옵션에 따른 개량 정보 참조. / AG Style - 절연체 패킹 및 부싱 제외.

정사각형 플랜지형상이며 패널의 앞쪽에 장착함.  
부트를 사용할 수 있으며, 절연체 패킹 및 부싱 포함되어 전선 방수가 가능한 구조임.  
(패널이 플랜지 후면에 붙음)  
패널 장착 홀은 구멍임.



Refer to the measurement information following YHBOOG and options.  
AG Style - excludes insulator packing and bushing.

A square flange type product that is mounted in front of the panel.  
Can use boots and includes insulator packing and bushing and its structure makes wire water resistance possible. (Panel is positioned at the back of flange)

UNIT: mm

Part Number	D1 +0.00 -0.15	D2 H13	D3 ±0.2	D4 ±0.2	D5 Max.	D6 ±0.1	E ±0.1	L1 Max.	L2 +0.4 -0.0	L3 ±0.2	L4 ±0.3	L5 ±0.1
YHB00**-10SL-**-***	18.20	3.2	17.0	15.5	13.3	7.9	18.2	43.0	14.2	2.8	25.4	11.7
YHB00**-14S-**-***	24.60	3.2	20.1	19.1	17.0	10.8	23.0	47.0	14.2	3.2	30.0	11.7
YHB00**-16S-**-***	27.40	3.2	23.5	23.9	21.9	13.7	24.6	47.0	14.2	3.2	32.5	11.7
YHB00**-16-**-***	27.40	3.2	23.5	23.9	21.9	13.7	24.6	58.0	19.0	3.2	32.5	11.5
YHB00**-18-**-***	30.80	3.2	26.5	23.9	21.9	14.8	27.0	58.0	19.0	4.0	35.0	11.5
YHB00**-20-**-***	34.20	3.2	30.2	29.6	26.2	18.9	29.4	58.0	19.0	4.0	38.0	12.4
YHB00**-22-**-***	37.40	3.2	33.6	29.6	26.2	21.0	31.8	59.0	19.0	4.0	41.0	12.4
YHB00**-24-**-***	40.90	3.7	36.1	37.8	34.5	24.8	34.9	61.0	20.6	4.0	44.5	12.7
YHB00**-28-**-***	46.70	3.7	41.4	37.8	34.5	27.2	39.7	67.0	20.6	4.0	50.8	12.7
YHB00**-32-**-***	53.40	4.3	48.6	47.8	43.6	33.5	44.5	71.0	22.2	4.0	57.0	15.2
YHB00**-36-**-***	59.60	4.3	54.8	47.8	43.6	38.7	49.2	71.0	22.2	4.0	63.5	15.2

# YHB Series (VG95234 Style)

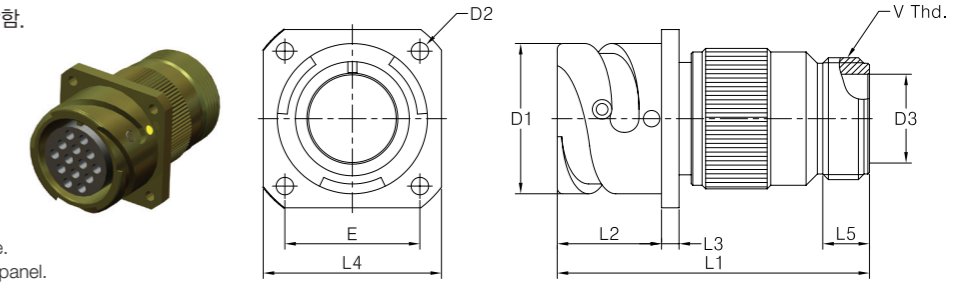
## Receptacle For Front Panel Mounting

YHB00R과 옵션에 따른 개량 정보 참조. 엔드벨에 악세사리를 함께 사용할 수 있으며, 절연체 패킹 및 부싱이 포함되어 전선 방수가 가능한 구조임.  
정사각형 플랜지형상이며 패널의 앞쪽에 장착함.  
(패널이 플랜지 후면에 붙음)

패널 장착 홀은 구멍임.

Refer to the measurement information following YHBOOR and options.  
Accessories can be used together at end bell and includes insulator packing and bushing and its structure makes wire water resistance possible.  
A square flange type and mounted in front of the panel.  
(Panel is position at the back of flange)

Panel mounting hole is a hole-type.



UNIT: mm

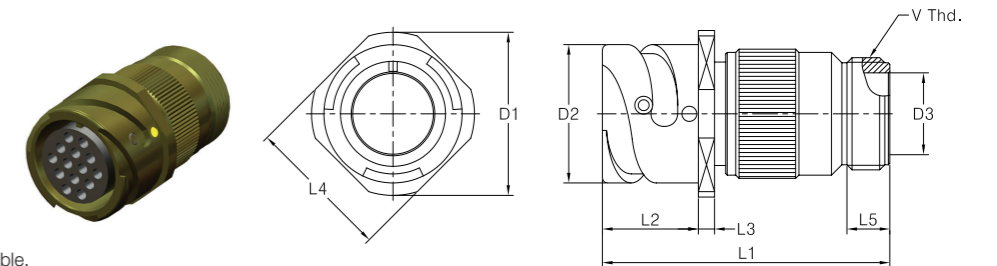
Part Number	D1 +0.00 -0.15	D2 H13	D3 Min.	E ±0.1	L1 Max.	L2 +0.4 -0.0	L3 ±0.2	L4 ±0.3	L5 Min.	V Thread. (Class : 2A)
YHB00R-10SL-**-***	18.20	3.2	10.4	18.2	43.0	14.2	2.8	25.4	9.5	5/8-24UNEF
YHB00R-14S-**-***	24.60	3.2	13.2	23.0	47.0	14.2	3.2	30.0	9.5	3/4-20UNEF
YHB00R-16S-**-***	27.40	3.2	16.2	24.6	47.0	14.2	3.2	32.5	9.5	7/8-20UNEF
YHB00R-16-**-***	27.40	3.2	16.2	24.6	58.0	19.0	3.2	32.5	9.5	7/8-20UNEF
YHB00R-18-**-***	30.80	3.2	19.2	27.0	58.0	19.0	4.0	35.0	9.5	1-20UNEF
YHB00R-20-**-***	34.20	3.2	22.0	29.4	58.0	19.0	4.0	38.0	9.5	1 3/16-18UNEF
YHB00R-22-**-***	37.40	3.2	24.5	31.8	59.0	19.0	4.0	41.0	9.5	1 3/16-18UNEF
YHB00R-24-**-***	40.90	3.7	27.8	34.9	61.0	20.6	4.0	44.5	9.5	1 7/16-18UNEF
YHB00R-28-**-***	46.70	3.7	31.2	39.7	67.0	20.6	4.0	50.8	9.5	1 7/16-18UNEF
YHB00R-32-**-***	53.40	4.3	37.8	44.5	71.0	22.2	4.0	57.0	11.0	1 3/4-18UNS
YHB00R-36-**-***	59.60	4.3	45.0	49.2	71.0	22.2	4.0	63.5	11.8	2-18UNS

## In-line Receptacle

YHB01R과 옵션에 따른 개량 정보 참조.

정사각형 플랜지형상이며, 엔드벨에 악세사리를 함께 사용 가능함.  
절연체 패킹 및 부싱이 포함되어 전선 방수가 가능한 구조임.  
케이블측에 사용함.

Refer to the measurement information following YHB01R and options.  
A square flange type and can use accessories together at end bell.  
Includes insulator packing and bushing and its structure makes wire water resistance possible.  
Used for cables.



UNIT: mm

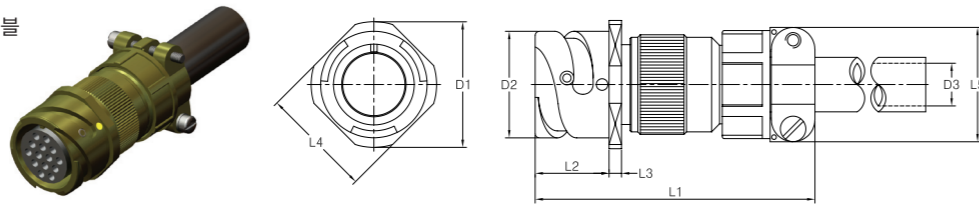
Part Number	D1 Max.	D2 +0.00 -0.15	D3 +0.1 -0.0	L1 Max.	L2 +0.4 -0.0	L3 ±0.2	L4 ±0.2	L5 Min.	V Thread. (Class : 2A)
YHB01R-10SL-**-***	25.2	18.20	10.4	43.0	14.2	2.8	20.6	9.5	5/8-24UNEF
YHB01R-14S-**-***	29.8	24.60	13.2	47.0	14.2	3.2	25.4	9.5	3/4-20UNEF
YHB01R-16S-**-***	32.3	27.40	16.2	47.0	14.2	3.2	28.6	9.5	7/8-20UNEF
YHB01R-16-**-***	32.3	27.40	16.2	58.0	19.0	3.2	28.6	9.5	7/8-20UNEF
YHB01R-18-**-***	34.8	30.80	19.2	58.0	19.0	4.0	31.7	9.5	1-20UNEF
YHB01R-20-**-***	37.8	34.20	22.0	58.0	19.0	4.0	34.9	9.5	1 3/16-18UNEF
YHB01R-22-**-***	41.1	37.40	24.5	59.0	19.0	4.0	38.1	9.5	1 3/16-18UNEF
YHB01R-24-**-***	44.6	40.90	27.8	61.0	20.6	4.0	41.3	9.5	1 7/16-18UNEF
YHB01R-28-**-***	50.9	46.70	31.2	67.0	20.6	4.0	47.6	9.5	1 7/16-18UNEF
YHB01R-32-**-***	57.1	53.40	37.8	71.0	22.2	4.0	54.0	11.0	1 3/4-18UNS
YHB01R-36-**-***	63.6	59.60	45.0	71.0	22.2	4.0	60.6	11.8	2-18UNS

# YHB Series (VG95234 Style)

## In-line Receptacle

YHB01F 와 옵션에 따른 개량 정보 참조. / YHB01AF - 절연체 패킹 및 부싱 제외.

정사각형 플랜지형상이며, 엔드벨에 케이블 클램프와 고무부싱 포함된 제품이며, 절연체 패킹 및 부싱이 포함되어 전선 방수가 가능한 구조임. 케이블측에 사용함.



Refer to the measurement information following YHB01F and options. / YHB01AF - excludes insulator packing and bushings.

A square flange type and includes cable clamp and rubber bushings at end bell. Includes insulator packing and bushing and its structure makes wire water resistance possible. Used for cables.

UNIT: mm

Part Number	D1 Max.	D2 +0.00 -0.15	D3 Max.	L1 Max.	L2 +0.4 -0.0	L3 ±0.2	L4 ±0.2	L5 Max.
YHB01**-10SL-**-***	25.2	18.20	5.58	64.0	14.2	2.8	20.6	22.7
YHB01**-14S-**-***	29.8	24.60	7.92	69.0	14.2	3.2	25.4	27.5
YHB01**-16S-**-***	32.3	27.40	11.09	71.0	14.2	3.2	28.6	30.0
YHB01**-16-**-***	32.3	27.40	11.09	82.0	19.0	3.2	28.6	30.0
YHB01**-18-**-***	34.8	30.80	14.27	82.0	19.0	4.0	31.7	32.2
YHB01**-20-**-***	37.8	34.20	15.87	82.0	19.0	4.0	34.9	37.5
YHB01**-22-**-***	41.1	37.40	15.87	83.0	19.0	4.0	38.1	37.5
YHB01**-24-**-***	44.6	40.90	19.05	87.0	20.6	4.0	41.3	43.3
YHB01**-28-**-***	50.9	46.70	19.05	93.0	20.6	4.0	47.6	43.3
YHB01**-32-**-***	57.1	53.40	23.79	99.0	22.2	4.0	54.0	51.7
YHB01**-36-**-***	63.6	59.60	31.75	100.0	22.2	4.0	60.6	58.0

## Receptacle For Front Panel Mounting

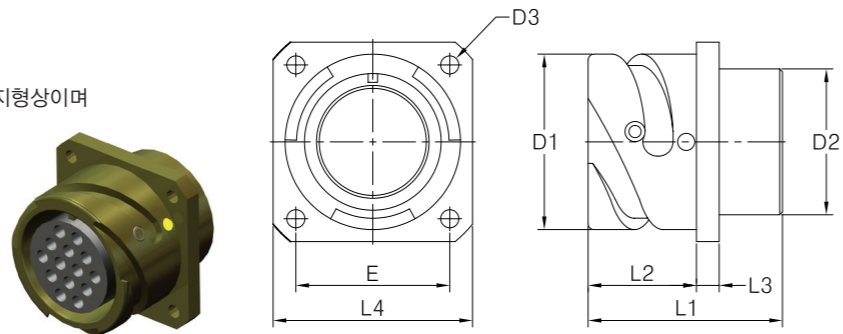
### VG95234 Style A (YHB02R Style)

YHB02R 과 옵션에 따른 개량 정보 참조. 정사각형 플랜지형상이며 패널의 앞쪽에 장착함. (패널이 플랜지 후면에 붙음) 패널 장착 홀은 구멍임.

Refer to the measurement information following YHB01R and options.

A square flange type and mounted in front of the panel. (Panel is positioned at the back of flange).

Panel mounting hole is a hole-type.



UNIT: mm

Part Number	D1 +0.00 -0.15	D2 Max.	D3 H13	E ±0.1	L1 Max.	L2 +0.4 -0.0	L3 ±0.2	L4 ±0.3
YHB02R-10SL-**-***	18.20	15.9	3.2	18.2	25.0	14.2	2.8	25.4
YHB02R-14S-**-***	24.60	19.2	3.2	23.0	25.0	14.2	3.2	30.0
YHB02R-16S-**-***	27.40	22.4	3.2	24.6	25.0	14.2	3.2	32.5
YHB02R-16-**-***	27.40	22.4	3.2	24.6	34.1	19.0	3.2	32.5
YHB02R-18-**-***	30.80	25.6	3.2	27.0	34.1	19.0	4.0	35.0
YHB02R-20-**-***	34.20	29.0	3.2	29.4	34.1	19.0	4.0	38.0
YHB02R-22-**-***	37.40	32.2	3.2	31.8	34.1	19.0	4.0	41.0
YHB02R-24-**-***	40.90	35.3	3.7	34.9	36.0	20.6	4.0	44.5
YHB02R-28-**-***	46.70	41.4	3.7	39.7	36.0	20.6	4.0	50.8
YHB02R-32-**-***	53.40	47.8	4.3	44.5	37.6	22.2	4.0	57.0
YHB02R-36-**-***	59.60	54.1	4.3	49.2	37.6	22.2	4.0	63.5

# YHB Series (VG95234 Style)

## Receptacle For Front Panel Mounting

YHB03R 과 옵션에 따른 개량 정보 참조.

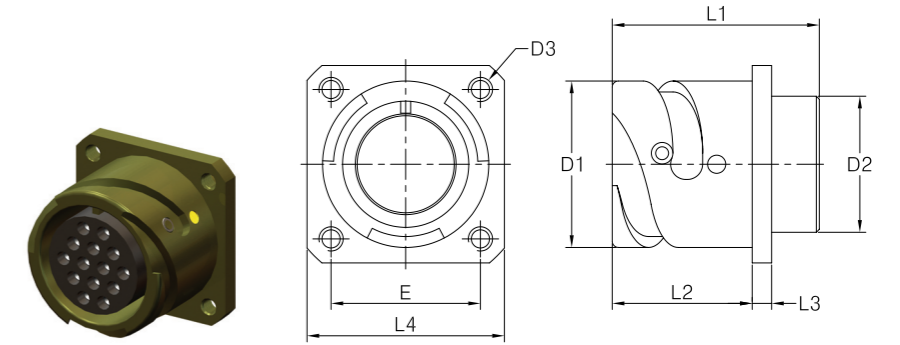
정사각형 플랜지형상이며 패널의 뒤쪽에 장착함. (패널이 플랜지 전면에 붙음)

패널 장착 홀은 나사임.

Refer to the measurement information following YHB03R and options.

A square flange type and mounted at the back of the panel. (Panel is positioned in front of flange).

Panel mounting hole is a screw-type.



UNIT: mm

Part Number	D1 +0.00 -0.15	D2 Max.	D3	E ±0.1	L1 Max.	L2 +0.40 -0.00	L3 ±0.2	L4 ±0.3
YHB03R-10SL-**-***	18.20	16.2	M4x0.7	18.2	27.9	18.20	2.8	25.4
YHB03R-14S-**-***	24.60	19.2	M4x0.7	23.0	27.9	18.20	3.2	30.0
YHB03R-16S-**-***	27.40	22.4	M4x0.7	24.6	27.9	18.20	3.2	32.5
YHB03R-16-**-***	27.40	22.4	M4x0.7	24.6	34.1	23.05	3.2	32.5
YHB03R-18-**-***	30.80	25.6	M4x0.7	27.0	34.1	23.05	4.0	35.0
YHB03R-20-**-***	34.20	29.0	M4x0.7	29.4	34.1	23.05	4.0	38.0
YHB03R-22-**-***	37.40	32.2	M4x0.7	31.8	34.1	23.05	4.0	41.0
YHB03R-24-**-***	40.90	35.3	M4x0.7	34.9	34.1	23.05	4.0	44.5
YHB03R-28-**-***	46.70	41.4	M5x0.8	39.7	36.0	24.05	4.0	50.8
YHB03R-32-**-***	53.40	47.8	M5x0.8	44.5	37.6	24.05	4.0	57.0
YHB03R-36-**-***	59.60	54.1	M5x0.8	49.2	37.6	24.05	4.0	63.5

## Receptacle For Front Panel Mounting

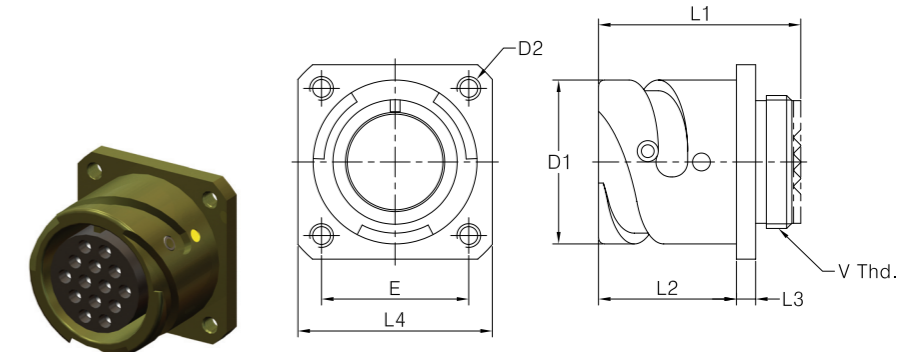
YHB030 과 옵션에 따른 개량 정보 참조.

정사각형 플랜지형상이며 패널의 뒤쪽에 장착함. 뒤쪽 나사부에 따른 악세사리 선택 사용 가능함. (패널이 플랜지 전면에 붙음)

패널 장착 홀은 나사임.

Refer to the measurement information following YHB030 and options.

A square flange type and mounted at the back of the panel. Can selectively use accessories with screw parts at the back. (Panel is positioned in front of flange). Panel mounting hole is a screw-type.



UNIT: mm

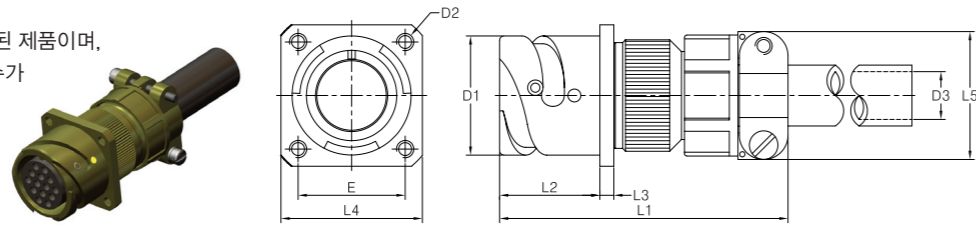
Part Number	D1 +0.00 -0.15	D2	E ±0.1	L1 ±0.3	L2 +0.40 -0.00	L3 ±0.2	L4 ±0.3	V Thread. (Class : 2A)
YHB030-10SL-**-***	18.20	M4x0.7	18.2	27.6	18.20	2.8	25.4	5/8-24UNEF
YHB030-14S-**-***	24.60	M4x0.7	23.0	27.6	18.20	3.2	30.0	3/4-20UNEF
YHB030-16S-**-***	27.40	M4x0.7	24.6	27.6	18.20	3.2	32.5	7/8-20UNEF
YHB030-16-**-***	27.40	M4x0.7	24.6	33.8	23.05	3.2	32.5	7/8-20UNEF
YHB030-18-**-***	30.80	M4x0.7	27.0	33.8	23.05	4.0	35.0	1-20UNEF
YHB030-20-**-***	34.20	M4x0.7	29.4	33.8	23.05	4.0	38.0	1 1/8-18UNEF
YHB030-22-**-***	37.40	M4x0.7	31.8	33.8	23.05	4.0	41.0	1 1/4-18UNEF
YHB030-24-**-***	40.90	M4x0.7	34.9	33.8	23.05	4.0	44.5	1 3/8-18UNEF
YHB030-28-**-***	46.70	M5x0.8	39.7	35.7	24.05	4.0	50.8	1 5/8-18UNEF
YHB030-32-**-***	53.40	M5x0.8	44.5	37.3	24.05	4.0	57.0	1 7/8-16UN
YHB030-36-**-***	59.60	M5x0.8	49.2	37.3	24.05	4.0	63.5	2 1/16-16UN

# YHB Series (VG95234 Style)

## Receptacle For Front Panel Mounting

YHB030F와 옵션에 따른 개량 정보 참조. / YHB030AF - 절연체 패킹 및 부싱 제외.

엔드벨에 케이블 클램프와 고무부싱 포함된 제품이며, 절연체 패킹 및 부싱이 포함되어 전선 방수가 가능한 구조임. 정사각형 플랜지형상이며 패널의 뒤쪽에 장착함. (패널이 플랜지 전면에 붙음) 패널 장착 홀은 나사임.



Refer to the measurement information following YHB030F and options. / YHB030AF - excludes insulator packing and bushings.

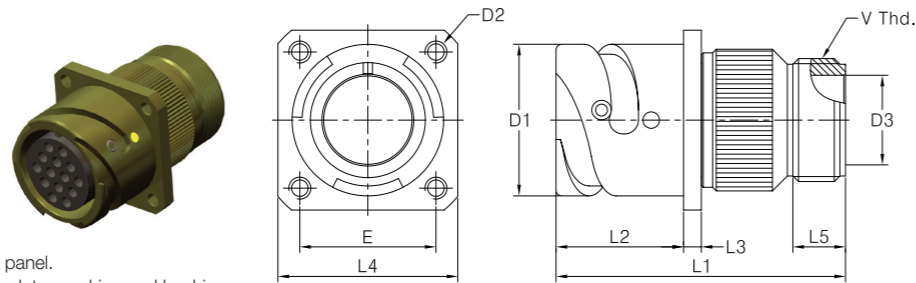
Includes cable clamp and rubber bushings at end bell. Includes insulator packing and bushing and its structure makes wire water resistance possible. A square flange type and mounted at the back of the panel. (Panel is positioned in front of the panel) Panel mounting hole is a screw-type.

UNIT: mm

Part Number	D1 +0.00 -0.15	D2	D3 Max.	E ±0.1	L1 Max.	L2 +0.40 -0.00	L3 ±0.2	L4 ±0.3	L5 Max.
YHB030**-10SL-**-**	18.20	M4x0.7	5.58	18.2	67.0	18.20	2.8	25.4	22.7
YHB030**-14S-**-**	24.60	M4x0.7	7.92	23.0	72.0	18.20	3.2	30.0	27.5
YHB030**-16S-**-**	27.40	M4x0.7	11.09	24.6	75.0	18.20	3.2	32.5	30.0
YHB030**-16**-**	27.40	M4x0.7	11.09	24.6	82.0	23.05	3.2	32.5	30.0
YHB030**-18**-**	30.80	M4x0.7	14.27	27.0	82.0	23.05	4.0	35.0	32.2
YHB030**-20**-**	34.20	M4x0.7	15.87	29.4	82.0	23.05	4.0	38.0	37.5
YHB030**-22**-**	37.40	M4x0.7	15.87	31.8	83.0	23.05	4.0	41.0	37.5
YHB030**-24**-**	40.90	M4x0.7	19.05	34.9	85.0	23.05	4.0	44.5	43.3
YHB030**-28**-**	46.70	M5x0.8	19.05	39.7	93.0	24.05	4.0	50.8	43.3
YHB030**-32**-**	53.40	M5x0.8	23.79	44.5	99.0	24.05	4.0	57.0	51.7
YHB030**-36**-**	59.60	M5x0.8	31.75	49.2	100.0	24.05	4.0	63.5	58.0

## Receptacle For Front Panel Mounting

YHB030R와 옵션에 따른 개량 정보 참조. 정사각형 플랜지형상이며 패널의 뒤쪽에 장착함. 엔드벨에 악세사리를 함께 사용할 수 있으며, 절연체 패킹 및 부싱이 포함되어 전선 방수가 가능한 구조임. (패널이 플랜지 전면에 붙음) 패널 장착 홀은 나사임.



Refer to the measurement information following YHB030R and options.

A square flange type and mounted at the back of the panel. Can use accessories together at end bell. Includes insulator packing and bushing and its structure makes wire water resistance possible. (Panel is positioned in front of the panel) Panel mounting hole is a screw-type.

UNIT: mm

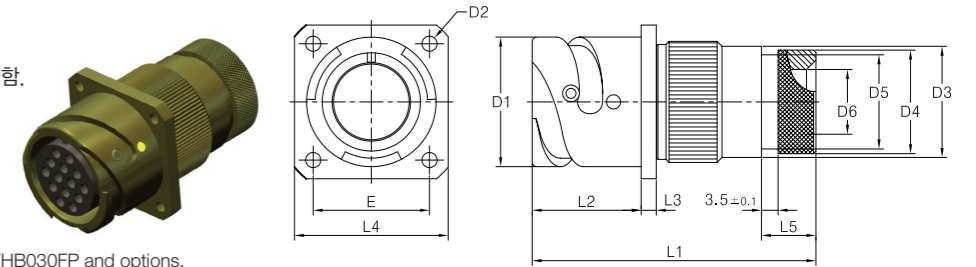
Part Number	D1 +0.00 -0.15	D2	D3 +0.1 -0.0	E ±0.1	L1 Max.	L2 +0.40 -0.00	L3 ±0.2	L4 ±0.3	L5 Min.	V Thread. (Class : 2A)
YHB030R-10SL-**-**	18.20	M4x0.7	10.4	18.2	46.0	18.20	2.8	25.4	9.5	5/8-24UNEF
YHB030R-14S-**-**	24.60	M4x0.7	13.2	23.0	50.0	18.20	3.2	30.0	9.5	3/4-20UNEF
YHB030R-16S-**-**	27.40	M4x0.7	16.2	24.6	50.0	18.20	3.2	32.5	9.5	7/8-20UNEF
YHB030R-16**-**	27.40	M4x0.7	16.2	24.6	58.0	23.05	3.2	32.5	9.5	7/8-20UNEF
YHB030R-18**-**	30.80	M4x0.7	19.2	27.0	58.0	23.05	4.0	35.0	9.5	1-20UNEF
YHB030R-20**-**	34.20	M4x0.7	22.0	29.4	58.0	23.05	4.0	38.0	9.5	1 3/16-18UNEF
YHB030R-22**-**	37.40	M4x0.7	24.5	31.8	59.0	23.05	4.0	41.0	9.5	1 3/16-18UNEF
YHB030R-24**-**	40.90	M4x0.7	27.8	34.9	59.0	23.05	4.0	44.5	9.5	1 7/16-18UNEF
YHB030R-28**-**	46.70	M5x0.8	31.2	39.7	67.0	24.05	4.0	50.8	9.5	1 7/16-18UNEF
YHB030R-32**-**	53.40	M5x0.8	37.8	44.5	71.0	24.05	4.0	57.0	11.0	1 3/4-18UNS
YHB030R-36**-**	59.60	M5x0.8	45.0	49.2	71.0	24.05	4.0	63.5	11.8	2-18UNS

# YHB Series (VG95234 Style)

## Receptacle For Front Panel Mounting

VG95234 Style U2 (YHB030GFP Style)

YHB030GFP와 옵션에 따른 개량 정보 참조. 정사각형 플랜지형상이며 패널의 뒤쪽에 장착함. 엔드벨에 부트를 사용할 수 있으며, 절연체 패킹 및 부싱이 포함되어 전선 방수가 가능한 구조임. (패널이 플랜지 전면에 붙음) 패널 장착 홀은 구멍임.



Refer to the measurement information following YHB030FP and options.

A square flange type and mounted at the back of the panel. Can use accessories together at end bell. Includes insulator packing and bushing and its structure makes wire water resistance possible. (Panel is positioned in front of the panel) Panel mounting hole is a hole-type.

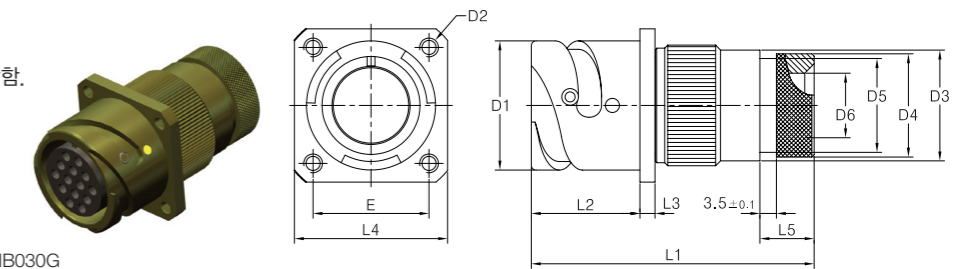
UNIT: mm

Part Number	D1 +0.00 -0.15	D2 H13	D3 ±0.2	D4 ±0.2	D5 Max.	D6 ±0.1	E ±0.1	L1 Max.	L2 +0.40 -0.00	L3 ±0.2	L4 ±0.3	L5 ±0.1
YHB030GFP-10SL-**-**	18.20	3.2	17.0	15.5	13.3	7.9	18.2	50.0	18.20	2.8	25.4	11.7
YHB030GFP-14S-**-**	24.60	3.2	20.1	19.1	17.0	10.8	23.0	50.0	18.20	3.2	30.0	11.7
YHB030GFP-16S-**-**	27.40	3.2	23.5	23.9	21.9	13.7	24.6	50.0	18.20	3.2	32.5	11.7
YHB030GFP-16**-**	27.40	3.2	23.5	23.9	21.9	13.7	24.6	60.0	23.05	3.2	32.5	11.5
YHB030GFP-18**-**	30.80	3.2	26.5	23.9	21.9	14.8	27.0	60.0	23.05	4.0	35.0	11.5
YHB030GFP-20**-**	34.20	3.2	30.2	29.6	26.2	18.9	29.4	65.0	23.05	4.0	38.0	12.4
YHB030GFP-22**-**	37.40	3.2	33.6	29.6	26.2	21.0	31.8	65.0	23.05	4.0	41.0	12.4
YHB030GFP-24**-**	40.90	3.7	36.1	37.8	34.5	24.8	34.9	65.0	23.05	4.0	44.5	12.7
YHB030GFP-28**-**	46.70	3.7	41.4	37.8	34.5	27.2	39.7	65.0	24.05	4.0	50.8	12.7
YHB030GFP-32**-**	53.40	4.3	48.6	47.8	43.6	33.5	44.5	70.0	24.05	4.0	57.0	15.2
YHB030GFP-36**-**	59.60	4.3	54.8	47.8	43.6	38.7	49.2	75.0	24.05	4.0	63.5	15.2

## Receptacle For Front Panel Mounting

VG95234 Style U1 (YHB030G Style)

HB030G와 옵션에 따른 개량 정보 참조. 정사각형 플랜지형상이며 패널의 뒤쪽에 장착함. 엔드벨에 부트를 사용할 수 있으며, 절연체 패킹 및 부싱이 포함되어 전선 방수가 가능한 구조임. (패널이 플랜지 전면에 붙음) 패널 장착 홀은 나사임.



Refer to the measurement information following HB030G

and options. A square flange type and mounted at the back of the panel. Can use boots at end bell. Includes insulator packing and bushing and its structure makes wire water resistance possible. (Panel is positioned in front of the panel) Panel mounting hole is a screw-type.

UNIT: mm

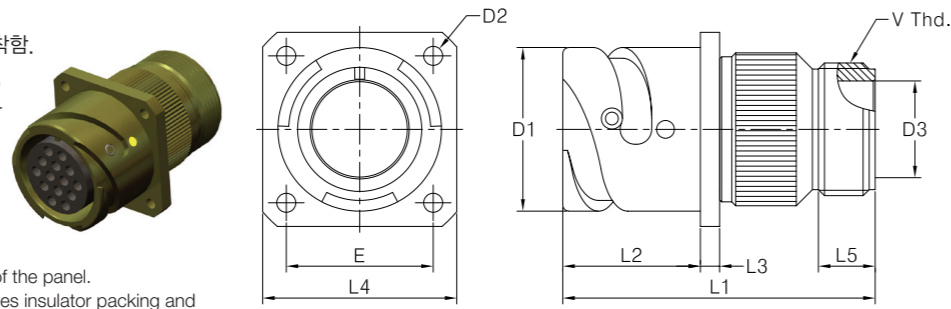
Part Number	D1 +0.00 -0.15	D2	D3 ±0.2	D4 ±0.2	D5 Max.	D6 ±0.1	E ±0.1	L1 Max.	L2 +0.40 -0.00	L3 ±0.2	L4 ±0.3	L5 ±0.1
YHB030G-10SL-**-**	18.20	M4x0.7	17.0	15.5	13.3	7.9	18.2	50.0	18.20	2.8	25.4	11.7
YHB030G-14S-**-**	24.60	M4x0.7	20.1	19.1	17.0	10.8	23.0	50.0	18.20	3.2	30.0	11.7
YHB030G-16S-**-**	27.40	M4x0.7	23.5	23.9	21.9	13.7	24.6	50.0	18.20	3.2	32.5	11.7
YHB030G-16**-**	27.40	M4x0.7	23.5	23.9	21.9	13.7	24.6	60.0	23.05	3.2	32.5	11.5
YHB030G-18**-**	30.80	M4x0.7	26.5	23.9	21.9	14.8	27.0	60.0	23.05	4.0	35.0	11.5
YHB030G-20**-**	34.20	M4x0.7	30.2	29.6	26.2	18.9	29.4	65.0	23.05	4.0	38.0	12.4
YHB030G-22**-**	37.40	M4x0.7	33.6	29.6	26.2	21.0	31.8	65.0	23.05	4.0	41.0	12.4
YHB030G-24**-**	40.90	M4x0.7	36.1	37.8	34.5	24.8	34.9	65.0	23.05	4.0	44.5	12.7
YHB030G-28**-**	46.70	M5x0.8	41.4	37.8	34.5	27.2	39.7	65.0	24.05	4.0	50.8	12.7
YHB030G-32**-**	53.40	M5x0.8	48.6	47.8	43.6	33.5	44.5	70.0	24.05	4.0	57.0	15.2
YHB030G-36**-**	59.60	M5x0.8	54.8	47.8	43.6	38.7	49.2	75.0	24.05	4.0	63.5	15.2

# YHB Series (VG95234 Style)

## Receptacle For Front Panel Mounting

YHB030RFP와 옵션에 따른 개량 정보 참조.  
정사각형 플랜지형상이며 패널의 뒤쪽에 장착함.  
엔드벨에 악세사리를 함께 사용할 수 있으며,  
절연체 패킹 및 부싱이 포함되어 전선 방수가  
가능한 구조임. (패널이 플랜지 전면에 붙음)  
패널 장착 홀은 구멍임.

Refer to the measurement information following  
YHB030RFP and options.  
A square flange type and mounted at the back of the panel.  
Can use accessories together at end bell. Includes insulator packing and  
bushing and its structure makes wire water resistance possible.  
(Panel is positioned in front of the panel) Panel mounting hole is a hole-type.



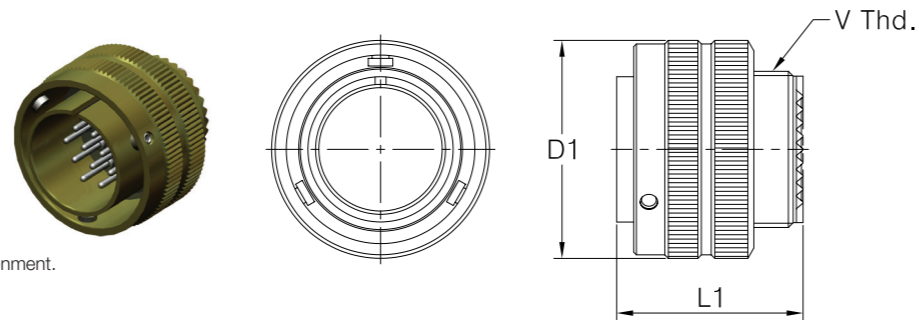
UNIT: mm

Part Number	D1 +0.00 -0.15	D2 H13	D3 +0.1 -0.0	E ±0.1	L1 Max.	L2 +0.40 -0.00	L3 ±0.2	L4 ±0.3	L5 Min.	V Thread. (Class : 2A)
YHB030RFP-10SL-**-**	18.20	3.2	10.4	18.2	46.0	18.20	2.8	25.4	9.5	5/8-24UNEF
YHB030RFP-14S-**-**	24.60	3.2	13.2	23.0	50.0	18.20	3.2	30.0	9.5	3/4-20UNEF
YHB030RFP-16S-**-**	27.40	3.2	16.2	24.6	50.0	18.20	3.2	32.5	9.5	7/8-20UNEF
YHB030RFP-16-**-**	27.40	3.2	16.2	24.6	58.0	23.05	3.2	32.5	9.5	7/8-20UNEF
YHB030RFP-18-**-**	30.80	3.2	19.2	27.0	58.0	23.05	4.0	35.0	9.5	1-20UNEF
YHB030RFP-20-**-**	34.20	3.2	22.0	29.4	58.0	23.05	4.0	38.0	9.5	1 3/16-18UNEF
YHB030RFP-22-**-**	37.40	3.2	24.5	31.8	59.0	23.05	4.0	41.0	9.5	1 3/16-18UNEF
YHB030RFP-24-**-**	40.90	3.7	27.8	34.9	59.0	23.05	4.0	44.5	9.5	1 7/16-18UNEF
YHB030RFP-28-**-**	46.70	3.7	31.2	39.7	67.0	24.05	4.0	50.8	9.5	1 7/16-18UNEF
YHB030RFP-32-**-**	53.40	4.3	37.8	44.5	71.0	24.05	4.0	57.0	11.0	1 3/4-18UNS
YHB030RFP-36-**-**	59.60	4.3	45.0	49.2	71.0	24.05	4.0	63.5	11.8	2-18UNS

## Straight Plug

YHB06 과 옵션에 따른 개량 정보 참조.  
YHBG06 - EMI 핑거 타입 플러그.  
플러그 코넥터로 악세사리 없음.  
별도 사용 환경에 맞는 악세사리 적용 가능함.

Refer to the measurement information following  
YHB06 and options.  
YHBG06 - EMI finger type plug.  
A plug connector and with no accessories.  
Can use separate accessories suitable for the environment.



UNIT: mm

Part Number	D1 Max.	L1 ±0.3	V Thread. (Class : 2A)
YHB*06-10SL-**-**	22.8	24.6	5/8-24UNEF
YHB*06-14S-**-**	29.2	24.6	3/4-20UNEF
YHB*06-16S-**-**	33.0	24.6	7/8-20UNEF
YHB*06-16-**-**	33.0	34.1	7/8-20UNEF
YHB*06-18-**-**	36.5	34.1	1-20UNEF
YHB*06-20-**-**	39.9	34.1	1 1/8-18UNEF
YHB*06-22-**-**	43.1	34.1	1 1/4-18UNEF
YHB*06-24-**-**	46.6	35.7	1 3/8-18UNEF
YHB*06-28-**-**	53.4	35.7	1 5/8-18UNEF
YHB*06-32-**-**	60.1	37.3	1 7/8-16UN
YHB*06-36-**-**	66.3	37.3	2 1/16-16UN

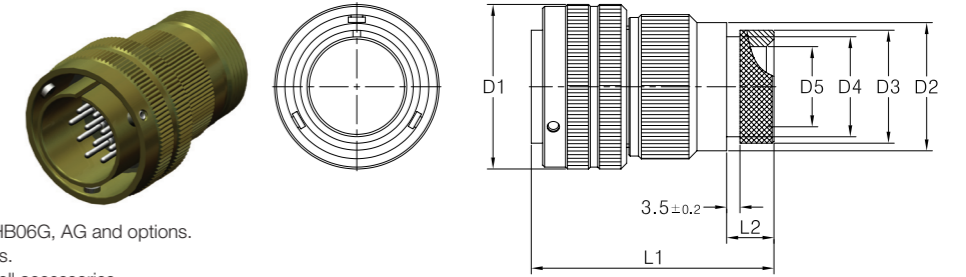
# YHB Series (VG95234 Style)

## Straight Plug

### VG95234 Style G (YHB06G style)

YHB06G, AG 와 옵션에 따른 개량 정보 참조.  
AG Style - 절연체 패킹 및 부싱 제외.  
플러그 타입 코넥터로 엔드벨 악세사리에  
부트를 사용할 수 있으며,  
절연체 패킹 및 부싱이 포함되어  
전선 방수가 가능한 구조임.

Refer to the measurement information following YHB06G, AG and options.  
AG Style - excludes insulator packing and bushings.  
A plug type connector and can use boots in end bell accessories.  
Includes insulator packing and bushing and its structure makes wire water resistance possible.



UNIT: mm

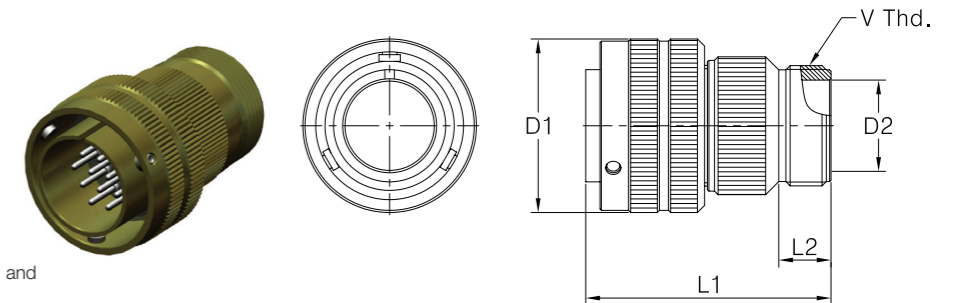
Part Number	D1 Max.	D2 ±0.2	D3 ±0.2	D4 Max.	D5 Min.	L1 Max.	L2 ±0.2
YHB06** 10SL-**-**	22.8	17.0	15.5	13.3	7.7	50.0	11.7
YHB06** 14S-**-**	29.2	20.1	19.1	16.8	10.6	50.0	11.7
YHB06** 18-**-**	36.5	26.5	23.9	21.9	14.6	60.0	11.5
YHB06** 20-**-**	39.9	30.2	29.6	26.2	18.7	65.0	12.4
YHB06** 22-**-**	43.1	33.6	29.6	26.2	20.8	65.0	12.4
YHB06** 24-**-**	46.6	36.1	37.8	34.5	24.6	65.0	12.7
YHB06** 28-**-**	53.4	41.4	37.8	34.5	27.0	65.0	12.7
YHB06** 32-**-**	60.1	48.6	47.8	43.6	33.3	70.0	15.2

## Straight Plug

### VG95234 Style H (YHB06R style)

YHB06R 과 옵션에 따른 개량 정보 참조.  
플러그 코넥터로 엔드벨에 악세사리등을  
함께 사용 가능하며, 절연체 패킹 및 부싱이  
포함되어 전선 방수가 가능한 구조임.

Refer to the measurement information following  
YHB06R and options.  
A plug type connector and can use accessories  
at end bell. Includes insulator packing and bushing and  
its structure makes wire water resistance possible.



UNIT: mm

Part Number	D1 Max.	D2 Min.	L1 Max.	L2 Min.	V Thread. (Class : 2A)
YHB06R 10SL-**-**	22.8	8.2	50.0	9.5	5/8-24UNEF
YHB06R 14S-**-**	29.2	11.1	50.0	9.5	3/4-20UNEF
YHB06R 16S-**-**	33.0	14.3	50.0	9.5	7/8-20UNEF
YHB06R 16-**-**	33.0	14.3	60.0	9.5	7/8-20UNEF
YHB06R 18-**-**	36.5	16.7	60.0	9.5	1-20UNEF
YHB06R 20-**-**	39.9	19.8	60.0	9.5	1 3/16-18UNEF
YHB06R 22-**-**	43.1	19.8	60.0	9.5	1 3/16-18UNEF
YHB06R 24-**-**	46.6	25.4	65.0	9.5	1 7/16-18UNEF
YHB06R 28-**-**	53.4	27.0	65.0	9.5	1 7/16-18UNEF
YHB06R 32-**-**	60.1	32.5	65.0	11.0	1 3/4-18UNS

# YHB Series (VG95234 Style)

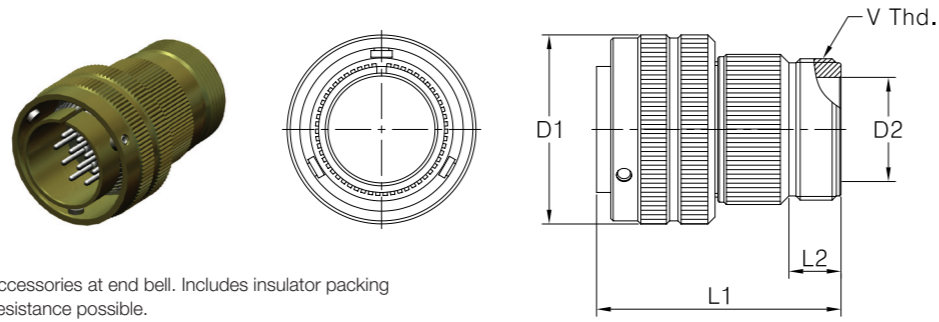
## Straight Plug, Shielded

### VG95234 Style L (YHBG06R style)

YHBG06R 과 옵션에 따른 개량 정보 참조.  
EMI 핑거 타입 플러그 코넥터로 엔드벨에  
악세사리를 함께 사용 가능하며, 절연체  
패킹 및 부싱이 포함되어 전선 방수가  
가능한 구조임.

Refer to the measurement information following  
YHBG06R and options.

An EMI finger type plug connector and can use accessories at end bell. Includes insulator packing  
and bushing and its structure makes wire water resistance possible.



UNIT: mm

Part Number	D1 Max.	D2 Min.	L1 Max.	L2 Min.	V Thread. (Class : 2A)
YHBG06R 10SL-**-***	22.8	8.2	50.0	9.5	5/8-24UNEF
YHBG06R 14S-**-***	29.2	11.1	50.0	9.5	3/4-20UNEF
YHBG06R 16S-**-***	32.0	14.3	50.0	9.5	7/8-20UNEF
YHBG06R 16**-***	32.0	14.3	60.0	9.5	7/8-20UNEF
YHBG06R 18**-***	36.5	16.7	60.0	9.5	1-20UNEF
YHBG06R 20**-***	39.9	19.8	60.0	9.5	1 3/16-18UNEF
YHBG06R 22**-***	43.1	19.8	60.0	9.5	1 3/16-18UNEF
YHBG06R 24**-***	46.6	25.4	65.0	9.5	1 7/16-18UNEF
YHBG06R 28**-***	53.4	27.0	65.0	9.5	1 7/16-18UNEF
YHBG06R 32**-***	60.1	32.5	65.0	11.0	1 3/4-18UNS

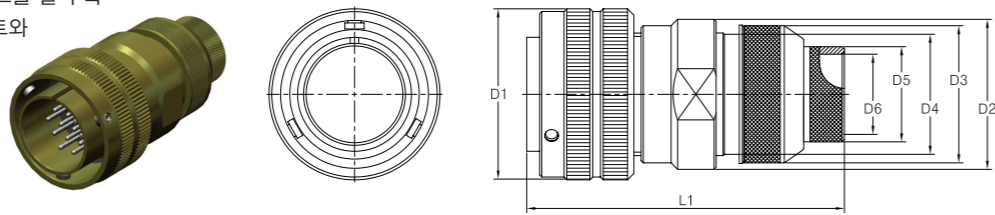
## Straight Plug

YHB06SBT 와 옵션에 따른 개량 정보 참조.  
플러그 코넥터로 엔드벨에 EMI 브레이드를 열 수축  
링으로 고정하여 사용할 수 있으며, 부트와  
함께 사용할 수 있고, 절연체 패킹 및  
부싱이 포함되어 전선 방수가 가능한  
구조로 되어 있음.

Refer to the measurement information  
following YHB06SBT and options.

A plug type connector and can use EMI blades that is fixed by heat shrink ring at end bell.

Can be used with boots. Includes insulator packing and bushing and its structure makes wire water resistance possible.



UNIT: mm

Part Number	D1 Max.	D2 Max.	D3 +0.5 -0.0	D4 Max.	D5 Max.	D6 Min.	L1 Max.	Smart Ring P/N
YHB06SBT-10SL-**-***	22.8	22.0	18.5	16.3	11.1	7.6	61.0	TR05
YHB06SBT-14S-**-***	29.2	25.0	22.0	20.0	14.3	10.8	64.0	TR07
YHB06SBT-16S-**-***	32.0	28.0	25.0	23.0	15.9	12.4	70.0	TR08
YHB06SBT-16**-***	32.0	28.0	25.0	23.0	15.9	12.4	80.0	TR08
YHB06SBT-18**-***	36.5	31.0	28.0	24.5	19.1	15.6	80.0	TR10
YHB06SBT-20**-***	39.9	35.0	32.0	28.5	22.3	18.7	80.0	TR12
YHB06SBT-22**-***	43.1	38.0	34.0	30.5	25.4	21.9	80.0	TR14
YHB06SBT-24**-***	46.6	41.0	38.0	34.5	28.6	25.1	80.0	TR16
YHB06SBT-28**-***	53.4	48.0	41.0	37.5	31.8	28.3	80.0	TR18
YHB06SBT-32**-***	60.1	54.0	48.0	44.0	31.8	28.3	80.0	TR18
YHB06SBT-36**-***	66.3	61.0	55.0	51.0	44.5	41.0	85.0	-

# YHB Series (VG95234 Style)

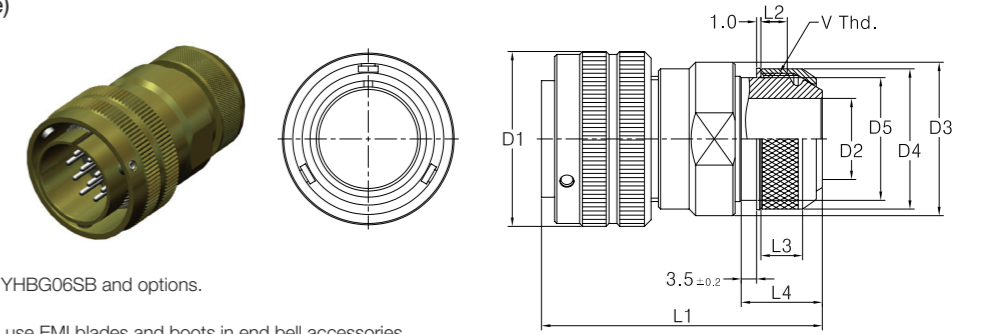
## Straight Plug, Shielded

### VG95234 Style M (YHBG06SB Style)

YHBG06SB 와 옵션에 따른 개량 정보 참조.  
YHB06SB - EMI 핑거 타입 아님.  
EMI 핑거 타입 플러그 코넥터로 엔드벨  
악세사리에 EMI브레이드 및 부트와 함께  
사용할 수 있고, 절연체 패킹 및 부싱이  
포함되어 전선 방수가 가능한 구조임.

Refer to the measurement information following YHBG06SB and options.  
YHB06SB - not EMI finger type.

An EMI finger type plug type connector and can use EMI blades and boots in end bell accessories.  
Includes insulator packing and bushing and its structure makes wire water resistance possible.



UNIT: mm

Part Number	D1 Max.	D2 Min.	D3 Max.	D4 +0.5 -0.0	D5 Max.	L1 Max.	L2 Min.	L3 ±0.5	L4 ±0.1	V Thread.
YHB*06SB-10SL-**-***	22.8	8.6	22.0	18.5	16.3	55.0	4.5	5.5	17.0	M16x1.0
YHB*06SB-14S-**-***	29.2	10.6	25.0	22.0	20.0	55.0	5.0	7.0	17.0	M20x1.0
YHB*06SB-16S-**-***	32.0	13.5	28.0	25.0	23.0	60.0	6.0	8.0	18.5	M23x1.0
YHB*06SB-16**-***	32.0	13.5	28.0	25.0	23.0	70.0	6.0	8.0	18.5	M23x1.0
YHB*06SB-18**-***	36.5	14.6	31.0	28.0	24.5	70.0	6.0	8.0	18.5	M26x1.0
YHB*06SB-20**-***	39.9	18.5	35.0	32.0	28.5	70.0	6.0	10.0	18.5	M30x1.0
YHB*06SB-22**-***	43.1	20.8	38.0	34.0	30.5	70.0	6.0	10.0	18.5	M32x1.0
YHB*06SB-24**-***	46.6	24.6	41.0	38.0	34.5	70.0	6.0	10.0	18.5	M36x1.0
YHB*06SB-28**-***	53.4	27.0	48.0	41.0	37.5	70.0	6.0	10.0	18.5	M39x1.0
YHB*06SB-32**-***	60.1	33.3	54.0	48.0	44.0	70.0	6.0	10.0	18.5	M45x1.0

## Straight Plug

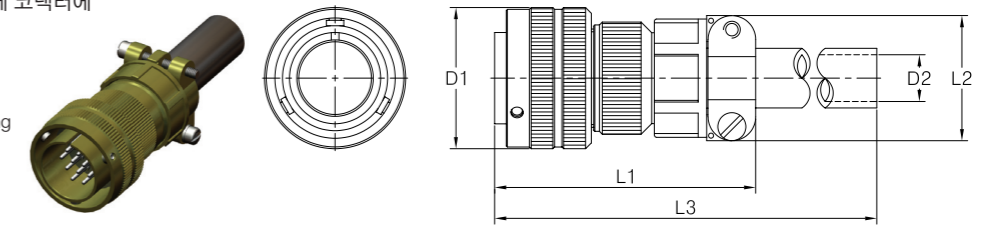
YHB06F (VG95234 Style D)와 옵션에 따른 개량 정보 참조. / YHB06AF- 절연체 패킹 및 부싱 제외.

케이블 클램프와 고무부싱을 엔드벨과 함께 코넥터에  
연결사용. 절연체 패킹 및 부싱이 포함되어  
전선 방수가 가능한 구조로 되어 있음.

Refer to the measurement information following  
YHB06F (VG95234 style D) and options.  
YHB06AF - excludes insulator packing  
and bushings.

Uses cable clamp and rubber bushing

as well as end bell with connector. Includes insulator packing and bushing and its structure makes wire water resistance possible.



UNIT: mm

Part Number	D1 Max.	D2 Max.	L1 Max.	L2 Max.	L3 Max.
YHB06**-10SL-**-***	22.8	5.58	64.0	22.7	115.0
YHB06**-14S-**-***	29.2	7.92	69.0	27.5	115.0
YHB06**-16S-**-***	32.0	11.09	71.0	30.0	115.0
YHB06**-16**-***	32.0	11.09	82.0	30.0	120.0
YHB06**-18**-***	36.5	14.27	82.0	33.0	120.0
YHB06**-20**-***	39.9	15.87	82.0	37.5	120.0
YHB06**-22**-***	43.1	15.87	83.0	37.5	120.0
YHB06**-24**-***	46.6	19.05	87.0	43.3	120.0
YHB06**-28**-***	53.4	19.05	93.0	43.3	120.0
YHB06**-32**-***	60.1	23.79	99.0	51.7	120.0
YHB06**-36**-***	66.3	31.75	100.0	58.0	130.0

# YHB Series (VG95234 Style)

## Straight Plug, Shielded

### YHB06SBT

EMI 그라운드 핑거 없음.  
절연체 패키징 포함, 전선 방수 구조.  
EMI 브레이드 사용할 수 있는 구조.

### YHB06SBT

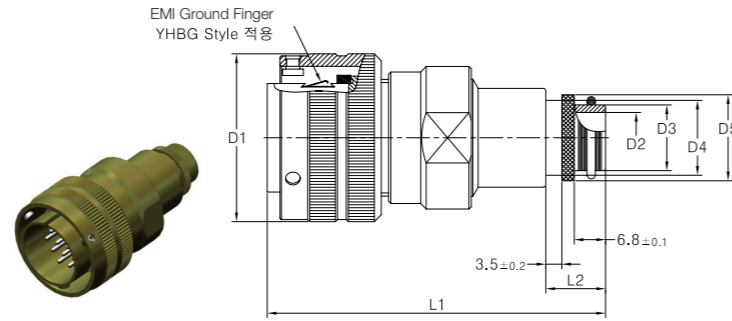
No EMI Ground Finger.  
Includes insulator packing.  
Wire water resistant.  
Can use EMI blades.

### YHBG06SBT

EMI 그라운드 핑거 있음.  
절연체 패키징 포함, 전선 방수 구조.  
EMI 브레이드 사용할 수 있는 구조.

### YHBG06SBT

EMI Ground Finger.  
Includes insulator packing.  
Wire water resistant.  
Can use EMI blades.



UNIT: mm

Part Number	Shell Size	Cable Entry Size	Smart Ring	D1 Max.	D2 +0.2 -0.0	D3	D4	D5	L1 Max.	L2 ±0.25
YHB*06SBT10SL-***-04	10SL	04	TR04xx	22.8	6.5	9.50	11.5	13.9	55.0	13.00
YHB*06SBT10SL-***-05	10SL	05	TR05xx	22.8	8.0	11.10	13.0	15.5	55.0	13.00
YHB*06SBT14S-***-04	14S	04	TR04xx	29.2	6.5	9.50	11.5	13.9	60.0	13.00
YHB*06SBT14S-***-05	14S	05	TR05xx	29.2	8.0	11.10	13.0	15.5	60.0	13.00
YHB*06SBT14S-***-07	14S	07	TR07xx	29.2	11.0	14.30	16.3	18.7	60.0	13.00
YHB*06SBT16S-***-04	16S	04	TR04xx	32.0	6.5	9.50	11.5	13.9	60.0	13.00
YHB*06SBT16S-***-05	16S	05	TR05xx	32.0	8.0	11.10	13.0	15.5	60.0	13.00
YHB*06SBT16S-***-07	16S	07	TR07xx	32.0	11.0	14.30	16.3	18.7	60.0	13.00
YHB*06SBT16S-***-08	16S	08	TR08xx	32.0	13.0	15.90	17.8	20.3	60.0	13.00
YHB*06SBT16-***-04	16	04	TR04xx	32.0	6.5	9.50	11.5	13.9	70.0	13.00
YHB*06SBT16-***-05	16	05	TR05xx	32.0	8.0	11.10	13.0	15.5	70.0	13.00
YHB*06SBT16-***-06	16	06	TR06xx	32.0	9.6	12.70	14.7	17.5	70.0	13.00
YHB*06SBT16-***-07	16	07	TR07xx	32.0	11.0	14.30	16.3	18.7	70.0	13.00
YHB*06SBT16-***-08	16	08	TR08xx	32.0	13.0	15.90	17.8	20.3	70.0	13.00
YHB*06SBT18-***-04	18	04	TR04xx	36.5	6.5	9.50	11.5	13.9	75.0	13.00
YHB*06SBT18-***-05	18	05	TR05xx	36.5	8.0	11.10	13.0	15.5	75.0	13.00
YHB*06SBT18-***-06	18	06	TR06xx	36.5	9.6	12.70	14.7	17.5	75.0	13.00
YHB*06SBT18-***-07	18	07	TR07xx	36.5	11.0	14.30	16.3	18.7	75.0	13.00
YHB*06SBT18-***-08	18	08	TR08xx	36.5	13.0	15.90	17.8	20.3	75.0	13.00
YHB*06SBT18-***-10	18	10	TR10xx	36.5	15.5	19.10	21.1	23.5	75.0	13.00
YHB*06SBT20-***-04	20	04	TR04xx	39.9	6.5	9.50	11.5	13.9	75.0	13.00
YHB*06SBT20-***-05	20	05	TR05xx	39.9	8.0	11.10	13.0	15.5	75.0	13.00
YHB*06SBT20-***-06	20	06	TR06xx	39.9	9.6	12.70	14.7	17.5	75.0	13.00
YHB*06SBT20-***-07	20	07	TR07xx	39.9	11.0	14.30	16.3	18.7	75.0	13.00
YHB*06SBT20-***-08	20	08	TR08xx	39.9	13.0	15.90	17.8	20.3	75.0	13.00
YHB*06SBT20-***-10	20	10	TR10xx	39.9	15.5	19.10	21.1	23.5	75.0	13.00
YHB*06SBT20-***-12	20	12	TR12xx	39.9	18.6	22.20	24.3	26.7	75.0	15.00
YHB*06SBT22-***-04	22	04	TR04xx	43.1	6.5	9.50	11.5	13.9	80.0	13.00
YHB*06SBT22-***-05	22	05	TR05xx	43.1	8.0	11.10	13.0	15.5	80.0	13.00
YHB*06SBT22-***-06	22	06	TR06xx	43.1	9.6	12.70	14.7	17.5	80.0	13.00
YHB*06SBT22-***-07	22	07	TR07xx	43.1	11.0	14.30	16.3	18.7	80.0	13.00
YHB*06SBT22-***-08	22	08	TR08xx	43.1	13.0	15.90	17.8	20.3	80.0	13.00
YHB*06SBT22-***-10	22	10	TR10xx	43.1	15.5	19.10	21.1	23.5	80.0	13.00
YHB*06SBT22-***-12	22	12	TR12xx	43.1	18.6	22.20	24.3	26.7	80.0	15.00
YHB*06SBT24-***-04	24	04	TR04xx	46.6	6.5	9.50	11.5	13.9	80.0	13.00
YHB*06SBT24-***-05	24	05	TR05xx	46.6	8.0	11.10	13.0	15.5	80.0	13.00
YHB*06SBT24-***-06	24	06	TR06xx	46.6	9.6	12.70	14.7	17.5	80.0	13.00
YHB*06SBT24-***-07	24	07	TR07xx	46.6	11.0	14.30	16.3	18.7	80.0	13.00
YHB*06SBT24-***-08	24	08	TR08xx	46.6	13.0	15.90	17.8	20.3	80.0	13.00
YHB*06SBT24-***-10	24	10	TR10xx	46.6	15.5	19.10	21.1	23.5	80.0	13.00
YHB*06SBT24-***-12	24	12	TR12xx	46.6	18.6	22.20	24.3	26.7	80.0	15.00
YHB*06SBT24-***-14	24	14	TR14xx	46.6	22.2	25.40	27.4	29.9	80.0	15.00
YHB*06SBT24-***-16	24	16	TR16xx	46.6	25.0	28.60	28.9	33.0	80.0	17.00
YHB*06SBT28-***-04	28	04	TR04xx	53.4	6.5	9.50	11.5	13.9	85.0	13.00
YHB*06SBT28-***-05	28	05	TR05xx	53.4	8.0	11.10	13.0	15.5	85.0	13.00
YHB*06SBT28-***-06	28	06	TR06xx	53.4	9.6	12.70	14.7	17.5	85.0	13.00
YHB*06SBT28-***-07	28	07	TR07xx	53.4	11.0	14.30	16.3	18.7	85.0	13.00
YHB*06SBT28-***-08	28	08	TR08xx	53.4	13.0	15.90	17.8	20.3	85.0	13.00
YHB*06SBT28-***-10	28	10	TR10xx	53.4	15.5	19.10	21.1	23.5	85.0	13.00
YHB*06SBT28-***-12	28	12	TR12xx	53.4	18.6	22.20	24.3	26.7	85.0	15.00
YHB*06SBT28-***-14	28	14	TR14xx	53.4	22.2	25.40	27.4	29.9	85.0	15.00
YHB*06SBT28-***-16	28	16	TR16xx	53.4	25.0	28.60	28.9	33.0	85.0	17.00
YHB*06SBT28-***-18	28	18	TR18xx	53.4	28.5	31.80	32.1	36.1	85.0	17.00

# YHB Series (VG95234 Style)

## Straight Plug, Shielded

### YHB06SBT

EMI 그라운드 핑거 없음.  
절연체 패키징 포함, 전선 방수 구조.  
EMI 브레이드 사용할 수 있는 구조.

### YHB06SBT

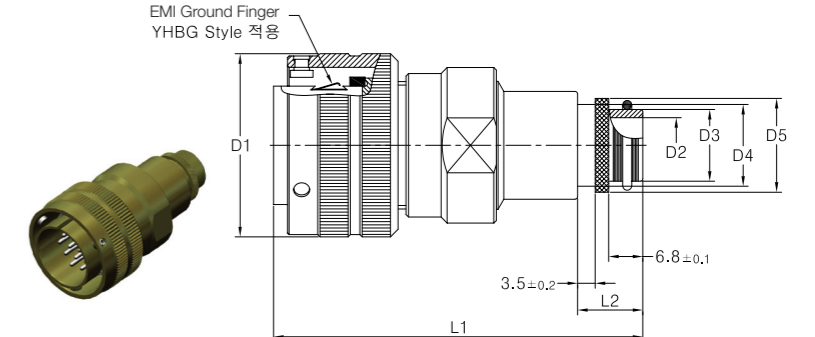
No EMI Ground Finger.  
Includes insulator packing.  
Wire water resistant.  
Can use EMI blades.

### YHBG06SBT

EMI 그라운드 핑거 있음.  
절연체 패키징 포함, 전선 방수 구조.  
EMI 브레이드 사용할 수 있는 구조.

### YHBG06SBT

EMI Ground Finger.  
Includes insulator packing.  
Wire water resistant.  
Can use EMI blades.



UNIT: mm

Part Number	Shell Size	Cable Entry Size	Smart Ring	D1 Max.	D2 +0.2 -0.0	D3	D4	D5	L1 Max.	L2 ±0.25
YHB*06SBT32-***-04	32	04	TR04xx	60.1	6.5	9.50	11.5	13.9	90.0	13.00
YHB*06SBT32-***-05	32	05	TR05xx	60.1	8.0	11.10	13.0	15.5	90.0	13.00
YHB*06SBT32-***-06	32	06	TR06xx	60.1	9.6	12.70	14.7	17.5	90.0	13.00
YHB*06SBT32-***-07	32	07	TR07xx	60.1	11.0	14.30	16.3	18.7	90.0	13.00
YHB*06SBT32-***-08	32	08	TR08xx	60.1	13.0	15.90	17.8	20.3	90.0	13.00
YHB*06SBT32-***-10	32	10	TR10xx	60.1	15.5	19.10	21.1	23.5	90.0	13.00
YHB*06SBT32-***-12	32	12	TR12xx	60.1	18.6	22.20	24.3	26.7	90.0	15.00
YHB*06SBT32-***-14	32	14	TR14xx	60.1	22.2	25.40	27.4	29.9	90.0	15.00
YHB*06SBT32-***-16	32	16	TR16xx	60.1	25.0	28.60	28.9	33.0	90.0	17.00
YHB*06SBT32-***-18	32	18	TR18xx	60.1	28.5	31.80	32.1	36.1	90.0	17.00
YHB*06SBT32-***-20	32	20	TR20xx	60.1	31.5	34.90	36.0	39.4	90.0	17.00
YHB*06SBT32-***-22	32	22	TR22xx	60.1	34.9	38.10	39.5	42.5	90.0	17.00
YHB*06SBT36-***-04	36	04	TR04xx	66.3	6.5	9.50	11.5	13.9	90.0	13.00
YHB*06SBT36-***-05	36	05	TR05xx	66.3	8.0	11.10	13.0	15.5	90.0	13.00
YHB*06SBT36-***-06	36	06	TR06xx	66.3	9.6	12.70	14.7	17.5	90.0	13.00
YHB*06SBT36-***-07	36	07	TR07xx	66.3	11.0	14.30	16.3	18.7	90.0	13.00
YHB*06SBT36-***-08	36	08	TR08xx	66.3	13.0	15.90	17.8	20.3	90.0	13.00
YHB*06SBT36-***-10	36	10	TR10xx	66.3	15.5	19.10	21.1	23.5	90.0	13.00
YHB*06SBT36-***-12	36	12	TR12xx	66.3	18.6	22.20	24.3	26.7	90.0	15.00
YHB*06SBT36-***-14	36	14	TR14xx	66.3	22.2	25.40	27.4	29.9	90.0	15.00
YHB*06SBT36-***-16	36	16	TR16xx	66.3	25.0	28.60	28.9	33.0	90.0	17.00
YHB*06SBT36-***-18	36	18	TR18xx	66.3	28.5	31.80	32.1	36.1	90.0	17.00
YHB*06SBT36-***-20	36	20	TR20xx	66.3	31.5	34.90	36.0	39.4	90.0	17.00
YHB*06SBT36-***-22	36	22	TR22xx	66.3	34.9	38.10	39.5	42.5	90.0	17.00
YHB*06SBT36-***-24	36	24	TR24xx	66.3	38.0	41.30	41.1	45.7	90.0	17.00



# YHB Series (VG95234 Style)

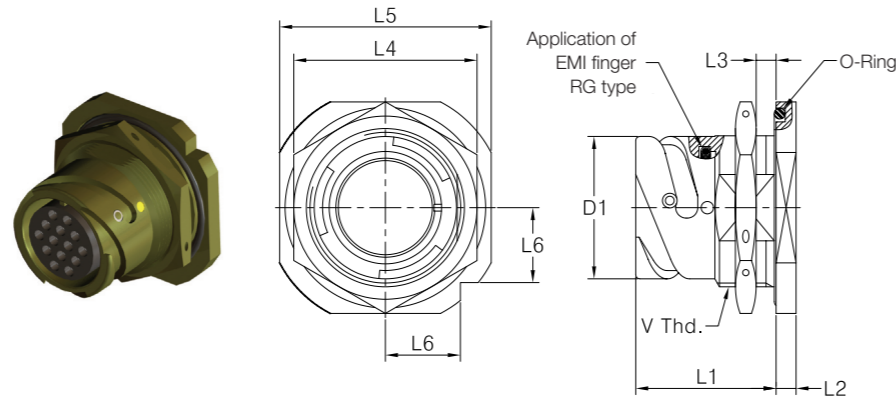
## Jam Nut Receptacle

YHB07R 과 옵션에 따른 개량 정보 참조.  
YHB07RG - EMI 코일 핑거 타입임.

잼 너트 사각 코넥터로 패널이  
플랜지 전면에 붙음.

Refer to the measurement information following  
YHB07R specification and options.  
YHB07RG - EMI coil finger type.

A jam nut quadrangle connector and the panel is  
positioned in front of flange.



UNIT: mm

Part Number	D1 +0.00 -0.15	L1	L2	L3 (Panel thickness)		L4 ±0.4	L5	L6	V Thread. (Class : 2A)
				Min.	Max.				
YHB07**-16**-***	27.40	32.1	4.8	2.4	7.5	38.1	44.4	15.7	1 1/4-18UNEF
YHB07**-20**-***	34.20	33.7	4.8	2.4	9.0	44.0	50.8	18.0	1 1/2-18UNEF
YHB07**-22**-***	37.40	33.7	4.8	2.4	9.1	46.0	57.2	20.2	1 5/8-18UNEF
YHB07**-24**-***	40.90	33.7	4.8	2.4	9.1	50.8	57.2	20.2	1 3/4-18UNEF
YHB07**-28**-***	46.70	35.2	5.6	2.4	8.5	55.0	63.5	22.5	2-18UNS
YHB07**-32**-***	53.40	35.2	5.6	2.4	6.5	62.0	69.8	24.7	2 1/4-16UN
YHB07**-36**-***	59.60	35.2	5.6	2.4	8.3	71.0	76.2	26.9	2 1/2-16UN

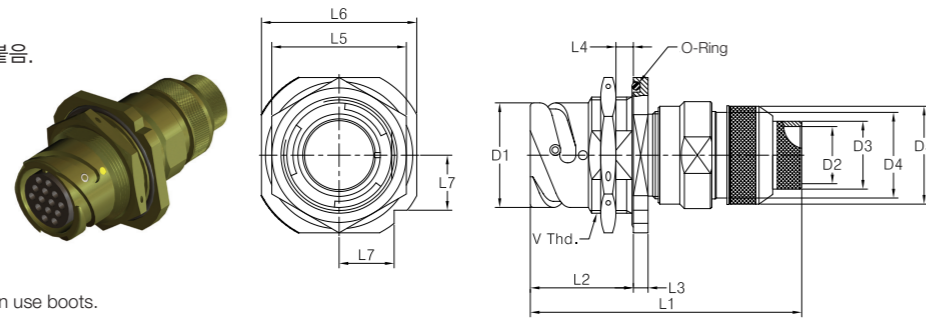
## Jam Nut Receptacle

YHB070SBT 와 옵션에 따른 개량 정보 참조.  
잼 너트 사각 코넥터로 패널이 플랜지 전면에 붙음.  
EMI 브레이드를 열 수축 링으로 고정 및  
부트 사용 가능함. 절연체 패키징 및 부싱  
포함 되어 전선 방수가 가능함.

Refer to the measurement information following  
YHB070SBT and options.

A jam nut quadrangle connector and the panel is  
positioned in front of flange.

Can install EMI blades with heat shrink ring and can use boots.  
Includes insulator packing and bushings. Wire is water resistant.



UNIT: mm

Part Number	D1 +0.00 -0.15	D2 +0.25 -0.00	D3 Max.	D4	D5	L1 Reference	L2	L3	L4 (Panel thickness)		L5 ±0.4	L6	L7	V Thread. (Class : 2A)	Smart Ring
									Min.	Max.					
YHB070SBT-20**-***	34.20	19.05	22.30	28.5	32.0	90.1	33.7	4.8	2.4	9.0	44.0	50.8	18.0	1 1/2-18UNEF	TR12
YHB070SBT-22**-***	37.40	22.20	25.40	30.5	34.0	89.4	33.7	4.8	2.4	9.1	46.0	57.2	20.2	1 5/8-18UNEF	TR18
YHB070SBT-32**-***	53.40	28.58	31.75	44.0	48.0	91.5	35.2	5.6	2.4	6.5	62.0	69.8	24.7	2 1/4-16UN	TR18

# YHB Series (VG95234 Style)

## Plug 90° Shielded

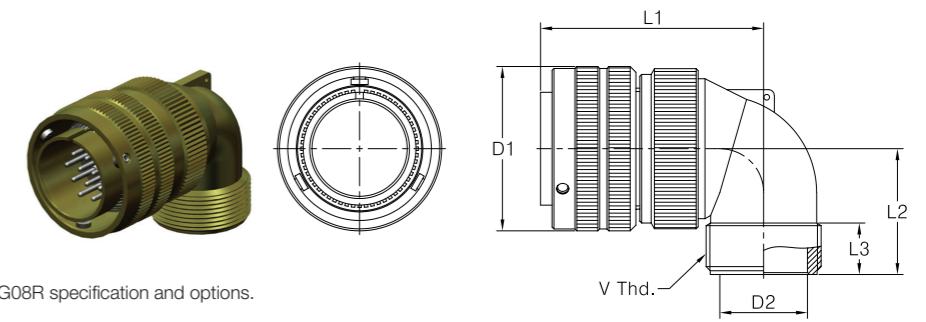
VG95234 Style K (YHBG08R Style)  
VG95234 Style E1 (YHB08R Style)

YHBG08R 과 옵션에 따른 개량 정보 참조.  
YHB08R - EMI 핑거 타입 플러그 아님.

EMI 핑거 타입 플러그 코넥터로 90° 엔드벨에  
악세사리를 함께 사용가능하며, 절연체 패키징  
및 부싱이 포함되어 전선 방수가 가능한 구조임.

Refer to the measurement information following YHBG08R specification and options.  
YHB08R - not EMI finger type.

EMI finger type plug connector. Can use accessories with 90° end bell.  
Includes insulator packing and bushings. Wire is water resistant.



UNIT: mm

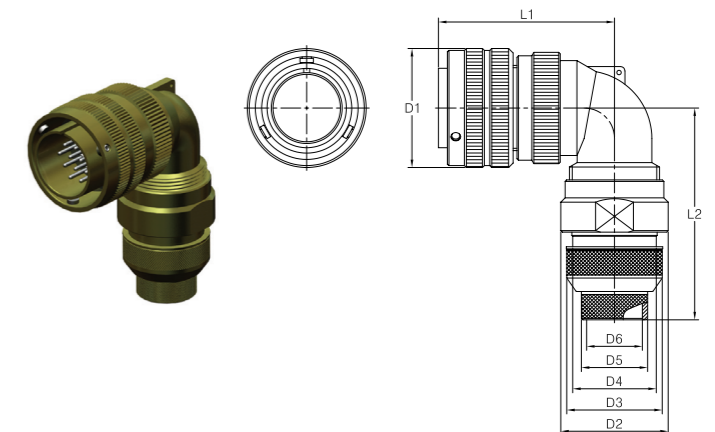
Part Number	D1 Max.	D2 +0.20 -0.10	L1 Max.	L2 Max.	L3 Min.	V Thread. (Class : 2A)
YHB*08** 20**-***	39.9	20.35	61.0	35.0	9.4	1 3/16-18UNEF
YHB*08** 22**-***	43.1	23.00	61.0	35.0	9.4	1 3/16-18UNEF
YHB*08** 24**-***	46.6	25.80	66.0	40.0	9.4	1 7/16-18UNEF
YHB*08** 28**-***	53.4	28.70	66.0	40.0	9.4	1 7/16-18UNEF
YHB*08** 32**-***	60.1	26.50	72.0	45.0	11.0	1 3/4-18UNS

## Plug 90°

YHB08SBT 와 옵션에 따른 개량 정보 참조.  
플러그 코넥터로 90° 엔드벨에 EMI브레이드를 열 수축 링으로  
고정하여 사용할 수 있으며, 부트와 함께 사용할 수 있고,  
절연체 패키징 및 부싱이 포함되어 전선 방수가 가능한 구조임.

Refer to the measurement information following YHB08SBT and options.  
A plug connector. Can install EMI blades with heat shrink ring  
and can use boots.

Includes insulator packing and bushings. Wire is water resistant.



UNIT: mm

Part Number	D1 Max.	D2 Max.	D3 +0.5 -0.0	D4 Max.	D5 Max.	D6 ±0.25	L1 Max.	L2 Reference	Smart Ring P/N
YHB08SBT-22**-***	43.1	38.0	34.0	30.5	25.4	22.20	61.0	65.0	TR14
YHB08SBT-24**-***	46.6	41.0	38.0	34.5	28.6	25.40	66.0	67.4	TR16
YHB08SBT-28**-***	53.4	48.0	41.0	37.5	31.8	28.60	66.0	69.4	TR18
YHB08SBT-32**-***	60.1	54.0	48.0	44.0	31.8	28.60	72.0	75.4	TR18

# YHB Series (VG95234 Style)

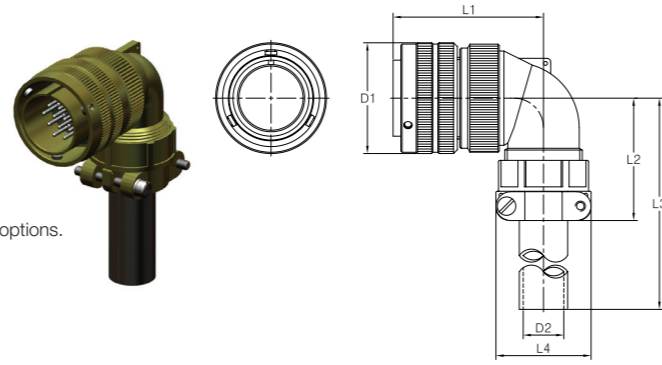
## Plug 90°

YHB08F (VG95234 Style E)와 옵션에 따른 개량 정보 참조.  
YHB08AF - 절연체 패킹 및 부싱 제외.

케이블 클램프와 고무부싱을 90°  
엔드벨과 함께 코넥터에 연결사용.  
절연체 패킹 및 부싱이 포함되어 전선 방수가 가능한 구조로 되어 있음.

Refer to the measurement information following YHB08F(VG95234 Style) and options.  
YHB08AF - excludes insulator packing and bushings.

Uses cable clamp and rubber bushings with 90° end bell.  
Includes insulator packing and bushings. Wire is water resistant.



UNIT: mm

Part Number	D1	D2	L1	L2	L3	L4
	Max.	Max.	Max.	Max.	Max.	Max.
YHB08**-10SL-**-***	22.8	5.58	45.0	42.0	100.0	22.7
YHB08**-20-**-***	39.9	15.87	61.0	53.0	100.0	37.5
YHB08**-22-**-***	43.1	15.87	61.0	53.0	100.0	37.5
YHB08**-24-**-***	46.6	19.05	66.0	58.0	100.0	43.3
YHB08**-28-**-***	53.4	19.05	66.0	58.0	100.0	43.3
YHB08**-32-**-***	60.1	23.79	72.0	66.0	100.0	51.7
YHB08**-36-**-***	66.3	31.75	75.0	69.0	110.0	58.0



# VG/YH-B, YHB Contact

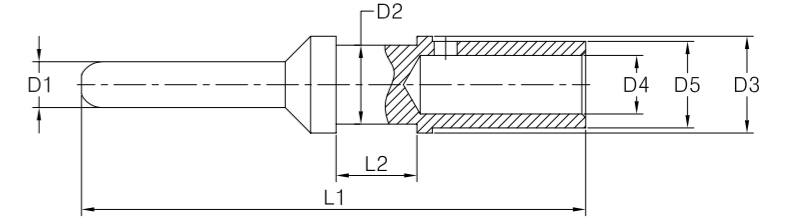
## Pin Contacts (AWG, Metric)

접점 유형  
클램핑 타입 접점

보호피막  
은도금

Contact Type  
Clamping type contact

Protection coating  
Silver plating



UNIT: mm

Contact size	VG95234		Applicable wire size		D1 +0.00 -0.05	D2	D3	D4	D5	L1 ±0.2	L2 ±0.10
	Part Number	Metric (mm)	AWG	Metric (mm)							
15S	16S	VG95234P15S	0.75-1.50	18/16	1.60	1.75 <sup>+0.00</sup> <sub>-0.10</sub>	3.2 <sup>+0.0</sup> <sub>-0.1</sub>	1.75 <sup>+0.08</sup> <sub>-0.10</sub>	2.75 <sup>+0.00</sup> <sub>-0.05</sub>	27.4	3.85
			0.30-0.60	22/20	1.60	1.75 <sup>+0.00</sup> <sub>-0.10</sub>	3.2 <sup>+0.0</sup> <sub>-0.1</sub>	1.2 <sup>+0.1</sup> <sub>-0.0</sub>	2.75 <sup>+0.00</sup> <sub>-0.05</sub>	27.4	3.85
			0.14-0.38	22/26	1.60	1.75 <sup>+0.00</sup> <sub>-0.10</sub>	3.2 <sup>+0.0</sup> <sub>-0.1</sub>	0.90 <sup>+0.05</sup> <sub>-0.00</sub>	2.75 <sup>+0.00</sup> <sub>-0.05</sub>	27.4	3.85
15	16	VG95234P15	0.75-1.50	18/16	1.60	1.75 <sup>+0.00</sup> <sub>-0.10</sub>	3.2 <sup>+0.0</sup> <sub>-0.1</sub>	1.75 <sup>+0.08</sup> <sub>-0.10</sub>	2.75 <sup>+0.00</sup> <sub>-0.05</sub>	31.4	7.90
			0.30-0.60	22/20	1.60	1.75 <sup>+0.00</sup> <sub>-0.10</sub>	3.2 <sup>+0.0</sup> <sub>-0.1</sub>	1.2 <sup>+0.1</sup> <sub>-0.0</sub>	2.75 <sup>+0.00</sup> <sub>-0.05</sub>	31.4	7.90
			0.14-0.38	22/26	1.60	1.75 <sup>+0.00</sup> <sub>-0.10</sub>	3.2 <sup>+0.0</sup> <sub>-0.1</sub>	0.90 <sup>+0.05</sup> <sub>-0.00</sub>	2.75 <sup>+0.00</sup> <sub>-0.05</sub>	31.4	7.90
25	12	VG95234P25	2.00-3.00	14/12	2.40	3.30 <sup>+0.00</sup> <sub>-0.15</sub>	4.8 <sup>+0.0</sup> <sub>-0.1</sub>	2.5 <sup>+0.1</sup> <sub>-0.0</sub>	3.8 <sup>+0.0</sup> <sub>-0.1</sub>	37.0	7.90
			0.75-1.50	18/16	2.40	3.30 <sup>+0.00</sup> <sub>-0.15</sub>	4.8 <sup>+0.0</sup> <sub>-0.1</sub>	1.75 <sup>+0.08</sup> <sub>-0.00</sub>	3.8 <sup>+0.0</sup> <sub>-0.1</sub>	37.0	7.90
			4.00	-	2.40	3.30 <sup>+0.00</sup> <sub>-0.15</sub>	4.8 <sup>+0.0</sup> <sub>-0.1</sub>	2.8 <sup>+0.1</sup> <sub>-0.0</sub>	3.8 <sup>+0.0</sup> <sub>-0.1</sub>	37.0	7.90
60	8	VG95234P60	-	8	3.60	6.25 <sup>+0.00</sup> <sub>-0.15</sub>	7.6 <sup>+0.0</sup> <sub>-0.2</sub>	4.55 <sup>+0.10</sup> <sub>-0.00</sub>	6.8 <sup>+0.0</sup> <sub>-0.1</sub>	39.6	6.35
			6.00	10	3.60	6.25 <sup>+0.00</sup> <sub>-0.15</sub>	7.6 <sup>+0.0</sup> <sub>-0.2</sub>	3.5 <sup>+0.1</sup> <sub>-0.0</sub>	6.8 <sup>+0.0</sup> <sub>-0.1</sub>	39.6	6.35
			10.00	-	3.60	6.25 <sup>+0.00</sup> <sub>-0.15</sub>	7.6 <sup>+0.0</sup> <sub>-0.2</sub>	4.8 <sup>+0.1</sup> <sub>-0.0</sub>	6.8 <sup>+0.0</sup> <sub>-0.1</sub>	39.6	6.35
100	-	VG95234P100	2.00-3.00	14/12	3.60	6.25 <sup>+0.00</sup> <sub>-0.15</sub>	7.6 <sup>+0.0</sup> <sub>-0.2</sub>	2.50 <sup>+0.05</sup> <sub>-0.00</sub>	6.8 <sup>+0.0</sup> <sub>-0.1</sub>	39.6	6.35
			4.00	-	3.60	6.25 <sup>+0.00</sup> <sub>-0.15</sub>	7.6 <sup>+0.0</sup> <sub>-0.2</sub>	2.8 <sup>+0.1</sup> <sub>-0.0</sub>	6.8 <sup>+0.0</sup> <sub>-0.1</sub>	39.6	6.35
			-	4	5.75	9.55 <sup>+0.00</sup> <sub>-0.15</sub>	11.2 <sup>+0.00</sup> <sub>-0.20</sub>	7.10 <sup>+0.15</sup> <sub>-0.00</sub>	9.55 <sup>+0.00</sup> <sub>-0.10</sub>	39.6	6.35
160	-	VG95234P160	16.00	-	5.75	9.55 <sup>+0.00</sup> <sub>-0.15</sub>	11.2 <sup>+0.0</sup> <sub>-0.2</sub>	6.20 <sup>+0.15</sup> <sub>-0.00</sub>	9.55 <sup>+0.00</sup> <sub>-0.10</sub>	39.6	6.35
			10.00	-	5.75	9.55 <sup>+0.00</sup> <sub>-0.15</sub>	11.2 <sup>+0.0</sup> <sub>-0.2</sub>	4.8 <sup>+0.1</sup> <sub>-0.0</sub>	9.55 <sup>+0.00</sup> <sub>-0.10</sub>	39.6	6.35
			-	6	5.75	9.55 <sup>+0.00</sup> <sub>-0.15</sub>	11.2 <sup>+0.0</sup> <sub>-0.2</sub>	5.7 <sup>+0.1</sup> <sub>-0.0</sub>	9.55 <sup>+0.00</sup> <sub>-0.10</sub>	39.6	6.35
500	0	VG95234P500	50.00	-	9.10	13.55 <sup>+0.00</sup> <sub>-0.15</sub>	15.15 <sup>+0.00</sup> <sub>-0.20</sub>	11.50 <sup>+0.15</sup> <sub>-0.00</sub>	14.35 <sup>+0.00</sup> <sub>-0.10</sub>	41.0	6.35
			25.00	4	9.10	13.55 <sup>+0.00</sup> <sub>-0.15</sub>	15.15 <sup>+0.00</sup> <sub>-0.20</sub>	7.60 <sup>+0.15</sup> <sub>-0.00</sub>	14.35 <sup>+0.00</sup> <sub>-0.10</sub>	41.0	6.35
			35.00	2	9.10	13.55 <sup>+0.00</sup> <sub>-0.15</sub>	15.15 <sup>+0.00</sup> <sub>-0.20</sub>	9.10 <sup>+0.15</sup> <sub>-0.00</sub>	14.35 <sup>+0.00</sup> <sub>-0.10</sub>	41.0	6.35
-	-	16.00	-	9.10	13.55 <sup>+0.00</sup> <sub>-0.15</sub>	15.15 <sup>+0.00</sup> <sub>-0.20</sub>	6.20 <sup>+0.15</sup> <sub>-0.00</sub>	14.35 <sup>+0.00</sup> <sub>-0.10</sub>	41.0	6.35	



# VG/YH-B, YHB Contact

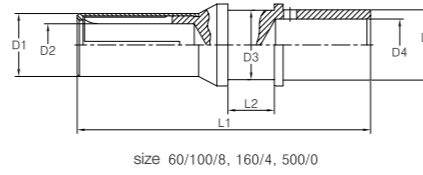
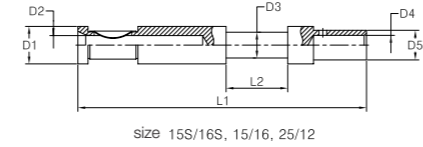
## Socket Contacts (AWG, Metric)

접점 유형  
클램핑 타입 접점

보호피막  
은도금

Contact Type  
Clamping type contact

Protection coating  
Silver plating



UNIT: mm

Contact size		VG95234	Applicable wire size		D1	D2	D3	D4	D5	L1	L2				
Metric	AWG	Part Number	Metric (mm)	AWG		+0.05 -0.00				±0.2	±0.10				
15S	16S	VG95234S15S	0.75-1.50	18/16	3.20	+0.00 -0.15	1.65	1.75	+0.00 -0.10	1.75	+0.08 -0.00	2.75	+0.00 -0.05	29.1	3.90
			0.30-0.60	22/20	3.20	+0.00 -0.15	1.65	1.75	+0.00 -0.10	1.2	+0.1 -0.0	2.75	+0.00 -0.05	29.1	3.90
			0.14-0.38	22/26	3.20	+0.00 -0.15	1.65	1.75	+0.00 -0.10	0.90	+0.05 -0.00	2.75	+0.00 -0.05	29.1	3.90
15	16	VG95234S15	0.75-1.50	18/16	3.20	+0.00 -0.15	1.65	1.75	+0.00 -0.10	1.75	+0.08 -0.00	2.75	+0.00 -0.05	37.8	7.90
			0.30-0.60	22/20	3.20	+0.00 -0.15	1.65	1.75	+0.00 -0.10	1.2	+0.1 -0.0	2.75	+0.00 -0.05	37.8	7.90
			0.14-0.38	22/26	3.20	+0.00 -0.15	1.65	1.75	+0.00 -0.10	0.90	+0.05 -0.00	2.75	+0.00 -0.05	37.8	7.90
25	12	VG95234S25	2.00-3.00	14/12	4.8	+0.0 -0.1	2.45	3.3	+0.0 -0.1	2.5	+0.1 -0.0	3.8	+0.0 -0.1	37.0	7.90
			0.75-1.50	18/16	4.8	+0.0 -0.1	2.45	3.3	+0.0 -0.1	1.75	+0.08 -0.00	3.8	+0.0 -0.1	37.0	7.90
			4.00	-	4.8	+0.0 -0.1	2.45	3.3	+0.0 -0.1	2.8	+0.1 -0.0	3.8	+0.0 -0.1	37.0	7.90
	8		-	8	6.5	+0.0 -0.2	3.65	6.25	+0.00 -0.20	4.55	+0.10 -0.00	6.8	+0.0 -0.1	40.1	6.35
60		VG95234S60	6.00	10	6.5	+0.0 -0.2	3.65	6.25	+0.00 -0.20	3.5	+0.1 -0.0	6.8	+0.0 -0.1	40.1	6.35
100		VG95234S100	10.00	-	6.5	+0.0 -0.2	3.65	6.25	+0.00 -0.20	4.8	+0.1 -0.0	6.8	+0.0 -0.1	40.1	6.35
			2.00-3.00	14/12	6.5	+0.0 -0.2	3.65	6.25	+0.00 -0.20	2.50	+0.05 -0.00	6.8	+0.0 -0.1	40.1	6.35
	4		-	4	8.6	+0.0 -0.2	5.80	9.55	+0.00 -0.20	7.10	+0.15 -0.00	6.8	+0.0 -0.1	40.1	6.35
160		VG95234S160	16.00	-	8.6	+0.0 -0.2	5.80	9.55	+0.00 -0.20	6.20	+0.05 -0.00	9.55	+0.00 -0.10	40.1	6.35
			10.00	-	8.6	+0.0 -0.2	5.80	9.55	+0.00 -0.20	4.8	+0.1 -0.0	9.55	+0.00 -0.10	40.1	6.35
			-	6	8.6	+0.0 -0.2	5.80	9.55	+0.00 -0.20	5.7	+0.1 -0.0	9.55	+0.00 -0.10	40.1	6.35
	0		-	0	13.2	+0.0 -0.2	9.15	13.55	+0.00 -0.20	11.50	+0.15 -0.00	9.55	+0.00 -0.10	41.6	6.35
500		VG95234S500	50.00	-	13.2	+0.0 -0.2	9.15	13.55	+0.00 -0.20	10.70	+0.15 -0.00	14.35	+0.00 -0.10	41.6	6.35
			25.00	4	13.2	+0.0 -0.2	9.15	13.55	+0.00 -0.20	7.60	+0.15 -0.00	14.35	+0.00 -0.10	41.6	6.35
			35.00	2	13.2	+0.0 -0.2	9.15	13.55	+0.00 -0.20	9.10	+0.15 -0.00	14.35	+0.00 -0.10	41.6	6.35
			16.00	-	13.2	+0.0 -0.2	9.15	13.55	+0.00 -0.20	6.20	+0.15 -0.00	14.35	+0.00 -0.10	41.6	6.35

# VG/YH-B, YHB Contact

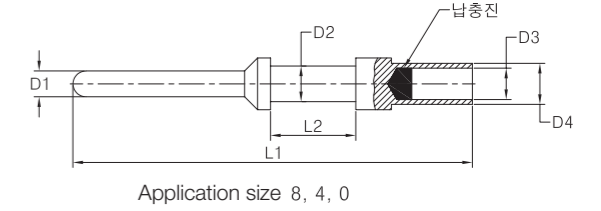
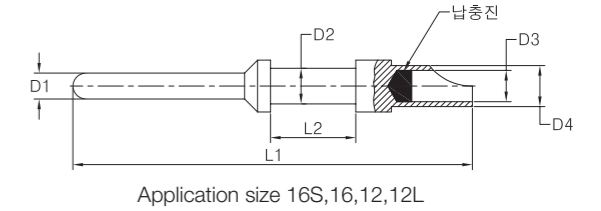
## Pin Contacts

접점 유형  
납땜 타입 접점

보호피막  
은도금

Contact Type  
Soldering type contact

Protection coating  
Silver plating



UNIT: mm

Contact size	D1	D2	D3	D4	L1	L2
	+0.00 -0.05		±0.1	±0.1	±0.2	±0.20
16S	1.60	1.75	+0.00 -0.10	2.6	27.0	3.85
16	1.60	1.75	+0.00 -0.10	2.6	32.5	7.90
12	2.40	3.30	+0.00 -0.15	3.8	36.5	7.90
12L	2.40	3.30	+0.00 -0.15	3.8	39.1	7.90
8	3.60	6.25	+0.00 -0.15	6.5	36.5	6.35
4	5.75	9.55	+0.00 -0.15	10.0	36.5	6.35
0	9.10	13.55	+0.00 -0.15	13.8	44.5	6.35

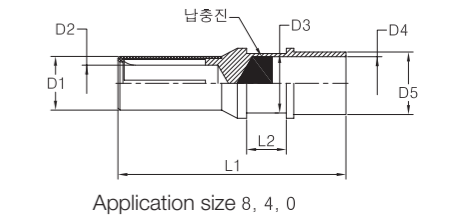
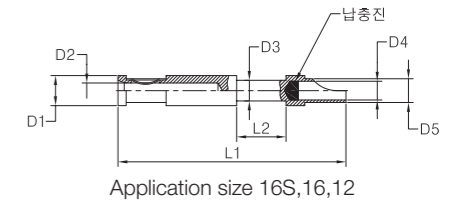
## Socket Contacts

접점 유형  
납땜 타입 접점

보호피막  
은도금

Contact Type  
Soldering type contact

Protection coating  
Silver plating



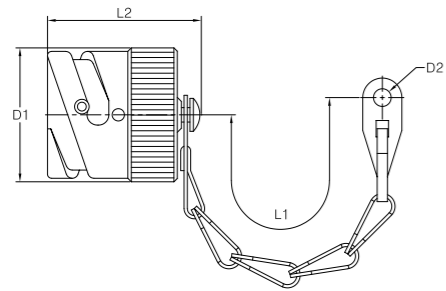
UNIT: mm

Contact size	D1	D2	D3	D4	D5	L1	L2
		+0.05 -0.00	+0.00 -0.10	±0.1	±0.1	±0.1	±0.10
16S	3.20	+0.00 -0.15	1.75	2.0	2.6	26.5	3.90
16	3.20	+0.00 -0.15	1.75	2.0	2.6	36.5	7.90
12	4.8	+0.00 -0.20	2.45	3.0	3.8	36.5	7.90
8	6.5	+0.00 -0.10	6.20	5.0	6.5	36.5	6.35
4	8.6	+0.00 -0.10	9.50	8.5	10.0	36.5	6.35
0	13.2	+0.00 -0.10	13.50	12.5	13.8	44.5	6.35

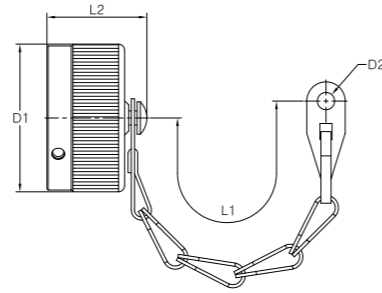
# Accessories

## Metal Dust Caps With Chain

### YH95234KB Style



### YH95234KR Style



UNIT: mm

Part Number	D1 Max.	D2 +0.5 -0.2	L1	L2 Max.
YH95234KB10SL	21.0	4.3	90.0	29.0
YH95234KB14S	27.5	4.3	100.0	29.0
YH95234KB16S	30.0	4.3	100.0	29.0
YH95234KB16	30.0	4.3	115.0	37.0
YH95234KB18	33.5	4.3	115.0	37.0
YH95234KB20	37.5	4.7	130.0	37.0
YH95234KB22	40.0	4.7	130.0	37.0
YH95234KB24	43.5	4.7	130.0	37.0
YH95234KB28	49.5	4.7	190.0	37.0
YH95234KB32	56.0	5.5	190.0	37.0
YH95234KB36	62.5	5.5	190.0	37.0

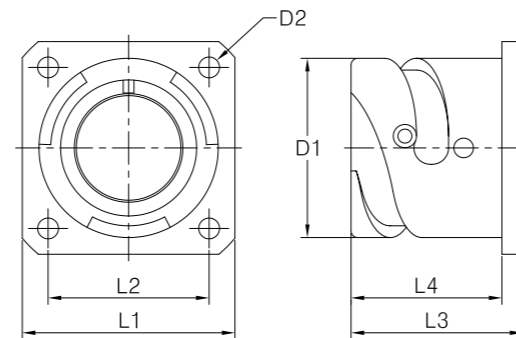
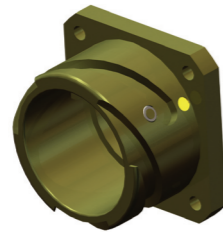
Part Number	D1 Max.	D2 +0.5 -0.2	L1	L2 Max.
YH95234KR10SL	23.5	4.3	90.0	20.0
YH95234KR14S	30.5	4.3	90.0	20.0
YH95234KR16S	33.0	4.3	90.0	20.0
YH95234KR16	33.0	4.3	100.0	25.0
YH95234KR18	37.5	4.3	100.0	25.0
YH95234KR20	41.0	4.3	115.0	25.0
YH95234KR22	44.0	4.3	115.0	25.0
YH95234KR24	47.5	4.3	115.0	25.0
YH95234KR28	54.5	5.5	160.0	25.0
YH95234KR32	61.0	5.5	160.0	25.0
YH95234KR36	67.5	5.5	160.0	25.0

## Dummy Receptacle

### VG95234 Style BOD

패널 전면에 장착.  
패널 장착 홀은 관통구멍임.

Installed in front of the panel.  
Panel mounting hole is a through-hole.



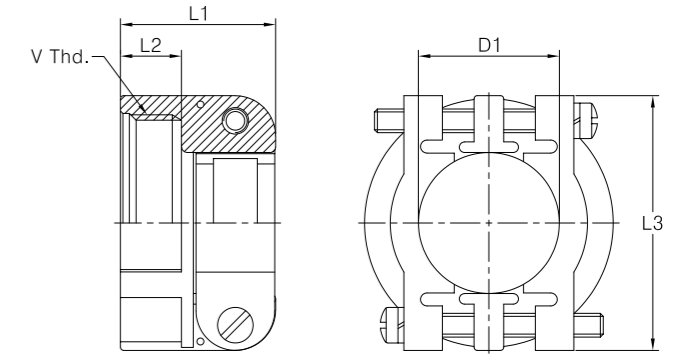
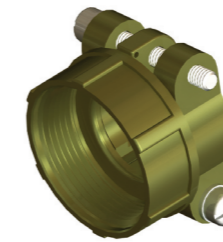
UNIT: mm

Shell size	Part Number	D1 +0.00 -0.15	D2 ±0.2	L1 ±0.3	L2 ±0.1	L3 Max.	L4 +0.3 -0.0
10SL	YH3105E10SL-B	18.20	3.2	25.4	18.2	17.5	14.2
14S	YH3105E14S-B	24.60	3.2	30.0	23.0	18.0	14.2
16S	YH3105E16S-B	27.40	3.2	32.5	24.6	18.0	14.2
16	YH3105E16-B	27.40	3.2	32.5	24.6	23.5	19.0
18	YH3105E18-B	30.80	3.2	35.0	27.0	23.5	19.0
20	YH3105E20-B	34.20	3.2	38.0	29.4	23.5	19.0
22	YH3105E22-B	37.40	3.2	41.0	31.8	23.5	19.0
24	YH3105E24-B	40.90	3.7	44.5	34.9	25.5	20.6
28	YH3105E28-B	46.70	3.7	50.8	39.7	25.5	20.6
32	YH3105E32-B	53.40	4.3	57.0	44.5	27.0	22.2
36	YH3105E36-B	59.60	4.3	63.5	49.2	27.0	22.2

# Accessories

## Cable Clamps

### VG95234 Style KK



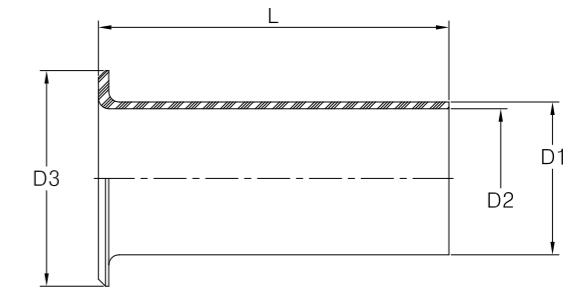
UNIT: mm

Shell size	Part Number	D1 Max.	L1 Max.	L2 Max.	L3 Max.	V Thread. (Class : 2B)
10SL	YH3057-4A	7.9	20.8	10.5	22.5	5/8-24UNEF
14S	YH3057-6A	11.1	22.4	10.5	27.4	3/4-20UNEF
16S & 16	YH3057-8A	14.2	24.0	10.5	29.8	7/8-20UNEF
18	YH3057-10A	15.8	24.0	10.5	32.2	1-20UNEF
20 & 22	YH3057-12A	19.0	24.0	10.5	37.4	1 3/16-18UNEF
24 & 28	YH3057-16A	23.7	26.4	10.5	43.5	1 7/16-18UNEF
32	YH3057-20A	31.8	28.0	12.0	51.7	1 3/4-18UNS
36	YH3057-24A	34.6	29.6	13.7	57.8	2-18UNS

## Rubber Bushing

YH3057 케이블 클램프와 함께 사용.

used with YH3057 cable clamp.



UNIT: mm

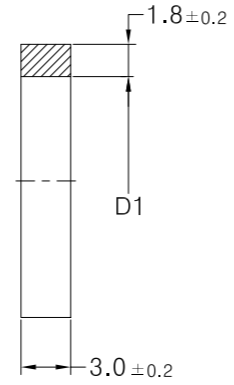
Part Number	D1	D2	D3	L	Part Number	D1	D2	D3	L
YH3420-4	7.7	5.58	12.8	69.8	YH95234KT10SL	8.0	6.6	10.0	70.0
YH3420-6	10.8	7.92	15.7	66.8	YH95234KT14S	10.9	9.1	12.7	67.0
YH3420-8	14.0	11.09	18.8	63.5	YH95234KT24&28	23.6	21.5	33.3	54.0
YH3420-10	15.6	14.27	22.6	60.3	YH95234KT32	31.5	26.8	40.4	51.0
YH3420-12	18.8	15.87	27.5	57.1					
YH3420-16	23.5	19.05	33.3	53.9					
YH3420-20	31.5	23.79	40.5	50.8					
YH3420-24	34.7	31.75	46.9	47.6					

# Accessories

## Angular O-Ring for sealing

플러그용

For plugs



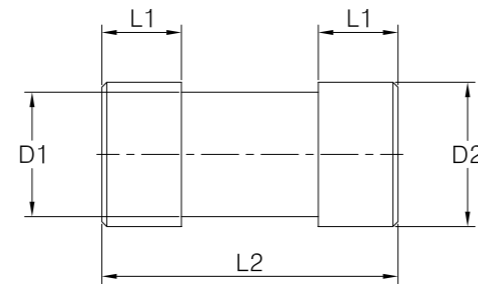
UNIT: mm

Size	D1
10SL	9.0
14S	14.0
16S	17.0
16	17.0
18	19.5
20	22.5
22	25.4
24	28.5
28	34.0
32	40.0
36	45.0

## Sealing plug

코넥터 후면에 와이어와 접점을 연결하지 않은 홀 부분을 밀봉할 목적으로 사용.

Used for sealing holes that are not connected with wires at the back of connector.



UNIT: mm

Size	Part Number	Contact size		D1 ±0.1	D2 ±0.2	L1 ±0.1	L2 ±0.3	Color
		Metric	AWG					
20	YH95234B20	10	-	2.3	3.0	2.4	9.7	Red
16	YH95234B16	15S/15	16S/16	2.8	3.7	3.2	11.9	Blue
12	YH95234B12	25	12	3.7	4.6	3.2	11.9	Yellow
8	YH95234B08	60/100	8	5.0	5.8	3.2	11.9	White
4	YH95234B04	160	4	7.6	8.5	3.2	11.9	Green
0	YH95234B00	500	0	12.8	13.5	3.2	11.9	Black

