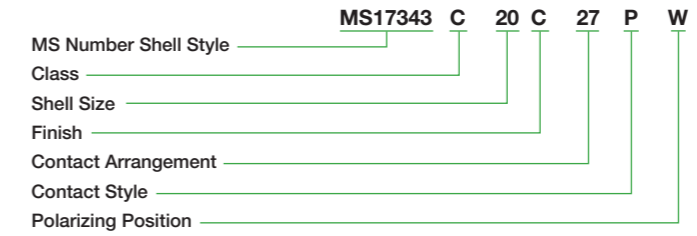


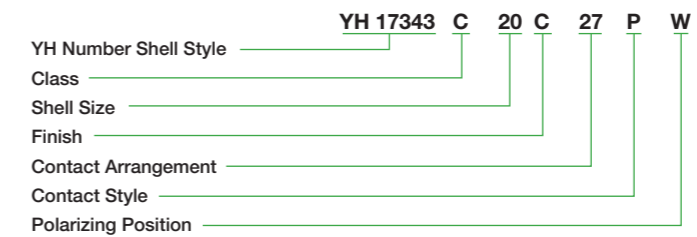
MIL-C-22992 Class "C", "R" Style

MIL-C-22992 Class "C", "R" Style

주문정보 및 부품번호 구분 (Ordering Information)



- MS Number Shell Style**
 MS17343 - Wall Mounting Receptacle
 MS17344 - Straight Plug
 MS17345 - Cable Connecting Plug
 MS17346 - Box mounting Receptacle
 MS17437 - Jam nut Receptacle
 MS17348 - Jam nut Receptacle(Box)
- Class**
 C - Pressurized
 R - Environment resisting
- Shell Size**
 12, 14, 16, 18, 20, 22, 24, 28, 32, 36
- Finish**
 C - Conductive (전도성)
 Olive drab cadmium plate over nickel.
 N - Non Conductive (비전도성)
 Hard black anodize.
- Contact Arrangement**
 MIL-STD-1651A에 따른다. (Follows MIL-STD-1651A.)
- Contact Style**
 P - Pin
 S - Socket
- Polarizing Position**
 MIL-STD-1651A에 따른다.(W, X, Y, Z)



- YH Number Shell Style**
 YH17343 - Wall Mounting Receptacle
 YH17344 - Straight Plug
 YH17345 - Cable Connecting Plug
 YH17346 - Box mounting Receptacle
 YH17437 - Jam nut Receptacle
 YH17348 - Jam nut Receptacle(Box)
- Class**
 C - Pressurized
 R - Environment resisting
- Shell Size**
 12, 14, 16, 18, 20, 22, 24, 28, 32, 36
- Finish**
 C - Conductive (전도성)
 Olive drab cadmium plate over nickel.
 N - Non Conductive (비전도성)
 Hard black anodize.
- Contact Arrangement**
 MIL-STD-1651A에 따른다. (Follows MIL-STD-1651A.)
- Contact Style**
 P - Pin
 S - Socket
- Polarizing Position**
 MIL-STD-1651A에 따른다.[W, X, Y, Z] (Follows MIL-STD-1651A.)

Ordering Info: Green World Technologies Corporation
www.gworldtech.com sales@gworldtech.com
 Ph. 1 (310) 774-0919 Fax: 1 (310) 217-0091

전기적 특성 (Electrical Data)

Altitude Voltage Derating

Service Rating	Nominal Distance		Standard Sea Level Conditions		Pressure Altitude 50,000 feet		Pressure Altitude 70,000 feet	
	Airspace	Creepage	Minimum Flashover Voltage AC(RMS)	Test Voltage AC(RMS)	Minimum Flashover Voltage AC(RMS)	Test Voltage AC(RMS)	Minimum Flashover Voltage AC(RMS)	Test Voltage AC(RMS)
Inst.	1/32	1/16	1400	1000	550	400	325	260
A	1/16	1/8	2800	2000	800	600	450	360
D	1/8	3/16	3600	2800	900	675	500	400
E	3/16	1/4	4500	3500	1000	750	550	440
B	1/4	5/16	5700	4500	1100	825	600	480
C	5/16	1	8500	7000	1300	975	700	560

절연저항 : DC500V에서 5000MΩ 이상일 것(at 25°C) Insulation resistance : It must be above 5000MΩ at DC500V (at 25°C)

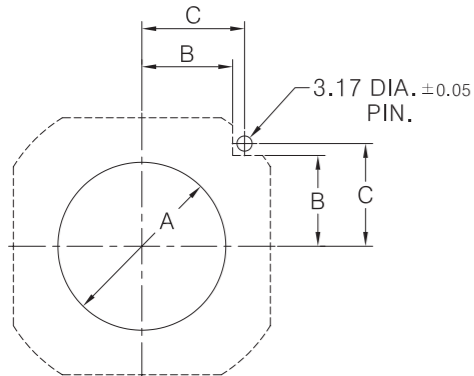
접점배열에 따른 서비스 등급

Service Rating	Recommended Operating Voltage at Sea Level		Effective Creepage Distance (Normal)	Mechanical Spacing (Normal)
	DC	AC(RMS)		
Inst.	250	200	1/16	
A	700	500	1/8	1/16
D	1250	900	3/16	1/8
E	1750	1250	1/4	3/16
B	2450	1750	5/16	1/4
C	4200	3000	1	5/16

재질 및 보호피막 (Standard Materials and Finishes)

Shell	Aluminum alloy "C" - Conductive, Olive drab cadmium over nickel. "N" - Non Conductive, Hard black anodize.
Insulator	CR
Contacts	Copper alloy / Silver plate

PANEL Mounting

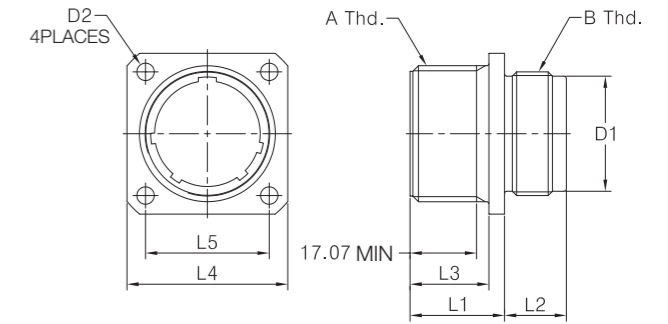


Shell size	A Dia +0.13 -0.00	B ±0.08	C ±0.13
12	25.53	14.27	17.47
14	28.70	15.39	19.05
16	31.88	17.75	22.22
18	35.05	18.77	23.82
20	38.23	19.89	25.40
22	41.40	21.08	26.97
24	47.75	23.34	30.17
28	54.10	25.58	33.32
32	60.45	27.84	36.52
36	66.80	30.05	39.67

MIL-C-22992 Class "C", "R" Style

Connector, Receptacle, Electrical, Wall mounting

YH17343(MS17343 Style)

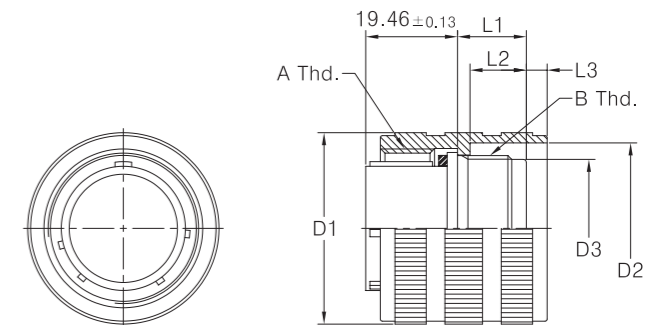


UNIT: mm

Shell size	A Thread. (Class : 2A) DS	B Thread. (Class : 2A) LH	D1 +0.03 -0.18	D2 ±0.13	L1 ±0.13 -0.51	L2 ±0.51	L3 ±0.13 -0.00	L4 ±0.53 -0.51	L5 ±0.10
12	0.8750-0.1P-0.2L	.7500-20UNEF	17.07	3.81	23.83	16.26	20.24	30.18	23.01
14	1.0000-0.1P-0.2L	.8750-20UNEF	20.24	3.81	23.83	16.26	20.24	32.54	24.61
16	1.1250-0.1P-0.2L	1.0000-20UNEF	23.42	3.81	23.83	16.26	20.24	34.93	26.97
18	1.2500-0.1P-0.2L	1.1250-18UNEF	26.42	4.50	23.83	15.88	20.24	38.10	29.36
20	1.3750-0.1P-0.2L	1.2500-18UNEF	29.57	4.50	23.83	15.88	20.24	41.28	31.75
22	1.5000-0.1P-0.2L	1.3750-18UNEF	32.74	4.50	23.83	15.88	20.24	44.45	34.93
24	1.7500-0.1P-0.2L	1.6250-18UNEF	39.09	4.50	26.59	15.09	21.82	50.80	39.67
28	2.0000-0.1P-0.2L	1.8750-16UN	45.21	4.50	26.59	15.09	21.82	57.15	44.45
32	2.2500-0.1P-0.2L	2.0625-16UNS	49.96	5.31	28.22	13.46	23.42	63.50	49.23
36	2.5000-0.1P-0.2L	2.3125-16UNS	56.31	5.31	28.22	13.46	23.42	69.85	55.58

Connector, plug, Electrical, straight

YH17344(MS17344 Style)



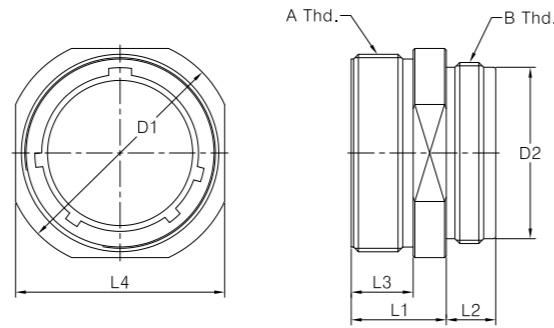
UNIT: mm

Shell size	A Thread. (Class : 2A) DS	B Thread. (Class : 2A) LH	D1 MAX.	D2 ±0.25 -0.03	D3 ±0.03 -0.18	L1 ±0.28 -0.25	L2 ±0.79	L3 MAX.
12	0.8750-0.1P-0.2L	.7500-20UNEF	29.36	25.02	17.07	18.75	13.44	2.54
14	1.0000-0.1P-0.2L	.8750-20UNEF	32.54	28.17	20.24	18.75	13.44	2.54
16	1.1250-0.1P-0.2L	1.0000-20UNEF	37.32	31.37	23.42	18.75	13.44	3.81
18	1.2500-0.1P-0.2L	1.1250-18UNEF	39.70	34.52	26.42	18.75	13.44	6.99
20	1.3750-0.1P-0.2L	1.2500-18UNEF	42.88	37.72	29.57	18.75	13.44	6.99
22	1.5000-0.1P-0.2L	1.3750-18UNEF	46.84	40.87	32.74	18.75	13.44	6.99
24	1.7500-0.1P-0.2L	1.6250-18UNEF	53.19	47.22	39.09	20.32	13.44	6.99
28	2.0000-0.1P-0.2L	1.8750-16UN	59.54	53.57	45.21	20.32	13.44	6.99
32	2.2500-0.1P-0.2L	2.0625-16UNS	65.89	59.92	49.96	22.23	13.44	6.99
36	2.5000-0.1P-0.2L	2.3125-16UNS	72.24	66.27	56.31	22.23	13.44	7.62

MIL-C-22992 Class "C", "R" Style

Connector, Plug, Electrical, Cable Connecting, Female

YH17345(MS17345 Style)

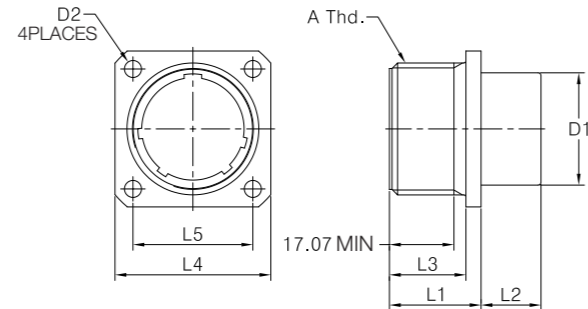


UNIT: mm

Shell size	A Thread. (Class : 2A) DS	B Thread. (Class : 2A) LH	D1	D2 ±0.03 -0.18	L1 ±0.53 -0.51	L2 ±0.25	L3 ±0.41 -0.00	L4 ±0.53 -0.51
12	0.8750-0.1P-0.2L	.7500-20UNEF	31.75	17.07	23.83	16.28	17.48	25.40
14	1.0000-0.1P-0.2L	.8750-20UNEF	34.93	20.24	23.83	16.28	17.48	27.79
16	1.1250-0.1P-0.2L	1.0000-20UNEF	38.10	23.42	23.83	16.28	17.48	32.54
18	1.2500-0.1P-0.2L	1.1250-18UNEF	41.28	26.42	24.21	15.88	17.86	34.93
20	1.3750-0.1P-0.2L	1.2500-18UNEF	44.45	29.57	24.21	15.88	17.86	38.10
22	1.5000-0.1P-0.2L	1.3750-18UNEF	47.63	32.74	24.21	15.88	17.86	41.28
24	1.7500-0.1P-0.2L	1.6250-18UNEF	53.98	39.09	24.82	15.88	19.46	47.63
28	2.0000-0.1P-0.2L	1.8750-16UN	60.20	45.21	25.81	15.88	19.46	53.98
32	2.2500-0.1P-0.2L	2.0625-16UNS	66.68	49.96	27.38	14.30	17.86	60.33
36	2.5000-0.1P-0.2L	2.3125-16UNS	73.03	56.31	27.38	14.30	17.86	66.68

Connector, Receptacle, Electrical, box mounting

YH17346(MS17346 Style)



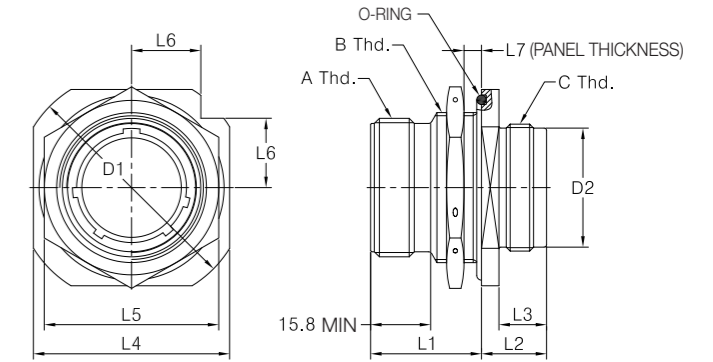
UNIT: mm

Shell size	A Thread. (Class : 2A) DS	D1 +0.03 -0.18	D2 ±0.13	L1 ±0.13 -0.51	L2 ±0.51 -0.76	L3 ±0.13 -0.00	L4 ±0.53 -0.51	L5 ±0.10
12	0.8750-0.1P-0.2L	17.07	3.81	23.83	16.26	20.24	30.18	23.01
14	1.0000-0.1P-0.2L	20.24	3.81	23.83	16.26	20.24	32.54	24.61
16	1.1250-0.1P-0.2L	23.42	3.81	23.83	16.26	20.24	34.93	26.97
18	1.2500-0.1P-0.2L	26.42	4.50	23.83	15.88	20.24	38.10	29.36
20	1.3750-0.1P-0.2L	29.57	4.50	23.83	15.88	20.24	41.28	31.75
22	1.5000-0.1P-0.2L	32.74	4.50	23.83	15.88	20.24	44.45	34.93
24	1.7500-0.1P-0.2L	39.09	4.50	26.59	15.09	21.82	50.80	39.67
28	2.0000-0.1P-0.2L	45.21	4.50	26.59	15.09	21.82	57.15	44.45
32	2.2500-0.1P-0.2L	49.96	5.31	28.19	13.49	23.42	63.50	49.23
36	2.5000-0.1P-0.2L	56.31	5.31	28.19	13.49	23.42	69.85	55.58

MIL-C-22992 Class "C", "R" Style

Connector, Receptacle, Electrical, Jam nut

YH17347(MS17347 Style)

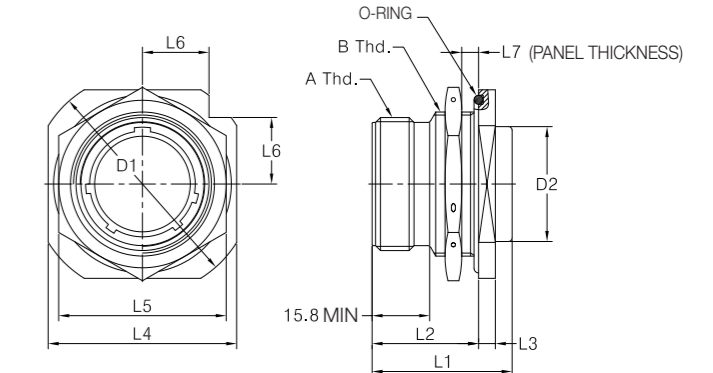


UNIT: mm

Shell size	A Thread. (Class : 2A) DS	B Thread. (Class : 2A)	C Thread. (Class : 2A) LH	D1	D2 +0.03 -0.18	L1 ±0.25	L2 +0.53 -0.51	L3	L4	L5 +0.43 -0.41	L6 +0.28 -0.25	L7 (PANEL THICKNESS) MIN. MAX.	
12	0.8750-0.1P-0.2L	1.0000-20UNEF	.7500-20UNEF	39.67	17.07	28.98	16.28	13.11	34.93	31.75	12.34	2.39	4.78
14	1.0000-0.1P-0.2L	1.1250-18UNEF	.8750-20UNEF	44.45	20.24	28.98	16.28	13.11	38.10	33.33	13.46	2.39	4.78
16	1.1250-0.1P-0.2L	1.2500-18UNEF	1.0000-20UNEF	50.80	23.42	28.98	17.86	13.11	44.45	38.10	15.82	2.39	4.78
18	1.2500-0.1P-0.2L	1.3750-18UNEF	1.1250-18UNEF	53.98	26.42	29.36	17.86	13.11	47.63	39.68	16.84	2.39	5.16
20	1.3750-0.1P-0.2L	1.5000-18UNEF	1.2500-18UNEF	57.15	29.57	29.36	17.86	13.11	50.80	44.45	17.96	2.39	5.16
22	1.5000-0.1P-0.2L	1.6250-18UNEF	1.3750-18UNEF	63.50	32.74	29.36	17.86	13.11	53.98	47.63	19.08	2.39	5.16
24	1.7500-0.1P-0.2L	1.8750-16UN	1.6250-18UNEF	69.85	39.09	30.96	17.86	13.11	60.33	53.98	21.34	2.39	6.73
28	2.0000-0.1P-0.2L	2.1250-16UN	1.8750-16UN	76.20	45.21	31.27	19.94	13.11	66.68	60.33	23.57	2.39	7.04
32	2.2500-0.1P-0.2L	2.3750-16UN	2.0625-16UNS	82.55	49.96	31.27	19.94	13.11	73.03	66.68	25.83	2.39	5.46
36	2.5000-0.1P-0.2L	2.6250-16UN	2.3125-16UNS	88.90	56.31	31.27	19.94	13.11	79.38	73.03	28.04	2.39	5.46

Connector, Receptacle, Electrical, Jam nut(box)

YH17348(MS17348 Style)



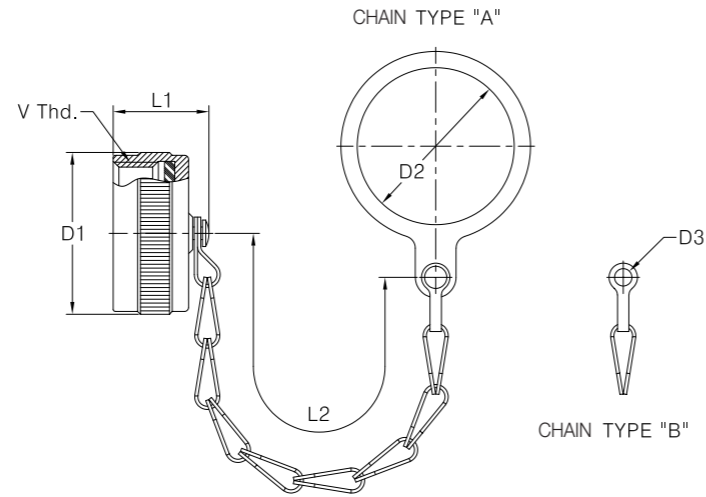
UNIT: mm

Shell size	A Thread. (Class : 2A) DS	B Thread. (Class : 2A)	D1	D2 ±0.03 -0.18	L1 ±0.28 -0.25	L2 ±0.25 ±0.15 -0.13	L3	L4	L5 ±0.43 -0.41	L6 ±0.28 -0.25	L7 (PANEL THICKNESS) MIN. MAX.	
12	0.8750-0.1P-0.2L	1.0000-20UNEF	39.67	17.07	40.08	28.98	3.18	34.93	31.75	12.34	2.39	7.54
14	1.0000-0.1P-0.2L	1.1250-18UNEF	44.45	20.24	40.08	28.98	3.18	38.10	33.33	13.46	2.39	7.54
16	1.1250-0.1P-0.2L	1.2500-18UNEF	50.80	23.42	40.08	28.98	4.78	44.45	38.10	15.82	2.39	7.54
18	1.2500-0.1P-0.2L	1.3750-18UNEF	53.98	26.42	40.08	29.36	4.78	47.63	39.68	16.84	2.39	6.76
20	1.3750-0.1P-0.2L	1.5000-18UNEF	57.15	29.57	40.08	29.36	4.78	50.80	44.45	17.96	2.39	6.76
22	1.5000-0.1P-0.2L	1.6250-18UNEF	63.50	32.74	40.08	29.36	4.78	53.98	47.63	19.08	2.39	6.76
24	1.7500-0.1P-0.2L	1.8750-16UN	69.85	39.09	41.68	30.96	4.78	60.33	53.98	21.34	2.39	8.33
28	2.0000-0.1P-0.2L	2.1250-16UN	76.20	45.21	41.68	31.27	5.56	66.68	60.33	23.57	2.39	8.33
32	2.2500-0.1P-0.2L	2.3750-16UN	82.55	49.96	41.68	31.27	5.56	73.03	66.68	25.83	2.39	8.33
36	2.5000-0.1P-0.2L	2.6250-16UN	88.90	56.31	41.68	31.27	5.56	79.38	73.03	28.04	2.39	8.33

MIL-C-22992 Class "C", "R" Style

Cover, Protective, Electrical, Connector, Receptacle

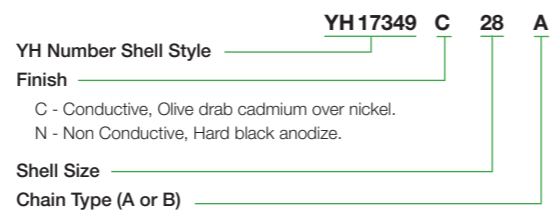
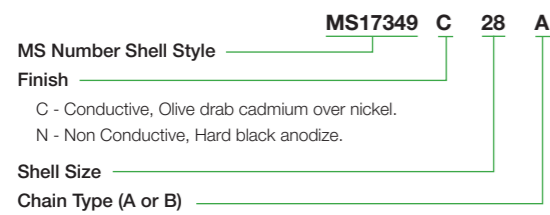
YH17349(MS17349 Style)



UNIT: mm

Shell size	D1 MAX.	CHAIN Type "A" D2 MIN.	CHAIN Type "B" D3 ±0.03 -0.18	L1 MAX.	L2	V Thread. (Class : 2B) DS
12	27.79	25.81	3.96	19.43	127.0	0.8750-0.1P-0.2L
14	30.96	28.98	3.96	19.43	127.0	1.0000-0.1P-0.2L
16	34.14	32.16	3.96	24.89	127.0	1.1250-0.1P-0.2L
18	37.31	35.33	4.57	24.89	127.0	1.2500-0.1P-0.2L
20	39.67	38.51	4.57	24.89	127.0	1.3750-0.1P-0.2L
22	42.87	41.68	4.57	24.89	152.4	1.5000-0.1P-0.2L
24	49.22	48.03	4.57	24.89	152.4	1.7500-0.1P-0.2L
28	56.36	54.38	4.57	24.89	152.4	2.0000-0.1P-0.2L
32	62.71	60.73	5.31	24.89	152.4	2.2500-0.1P-0.2L
36	69.06	67.08	5.31	24.89	152.4	2.5000-0.1P-0.2L

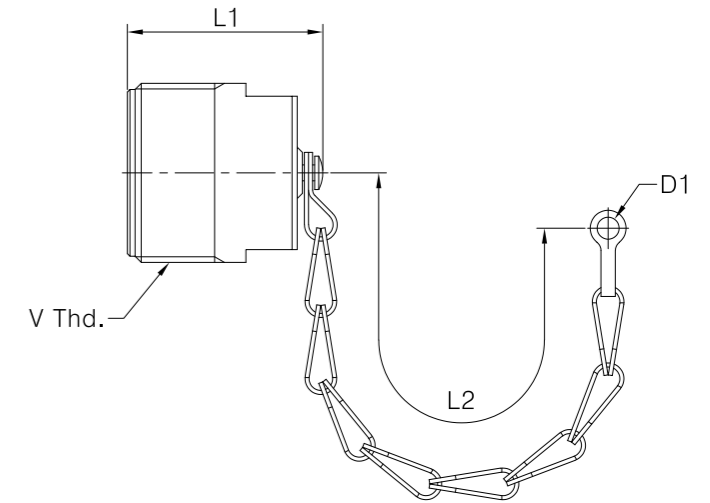
주문정보 및 부품번호 구분 (Ordering Information)



MIL-C-22992 Class "C", "R" Style

Cover, Protective, Connector, Plug

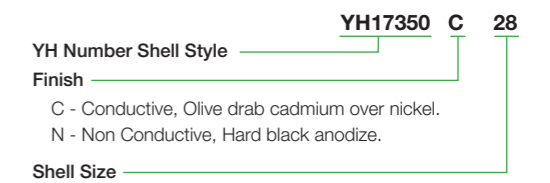
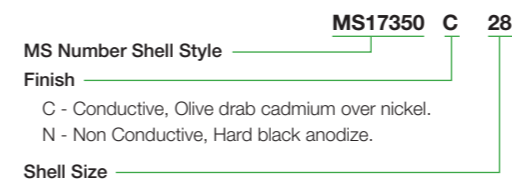
YH17350(MS17350 Style)



UNIT: mm

Shell size	D1 ±0.25 -0.13	L1 MAX.	L2	V Thread. (Class : 2B) DS
12	3.96	38.1	127.0	0.8750-0.1P-0.2L
14	3.96	38.1	127.0	1.0000-0.1P-0.2L
16	3.96	38.1	127.0	1.1250-0.1P-0.2L
18	4.57	38.1	127.0	1.2500-0.1P-0.2L
20	4.57	38.1	127.0	1.3750-0.1P-0.2L
22	4.57	38.1	152.4	1.5000-0.1P-0.2L
24	4.57	38.1	152.4	1.7500-0.1P-0.2L
28	4.57	38.1	152.4	2.0000-0.1P-0.2L
32	5.31	38.1	152.4	2.2500-0.1P-0.2L
36	5.31	38.1	152.4	2.5000-0.1P-0.2L

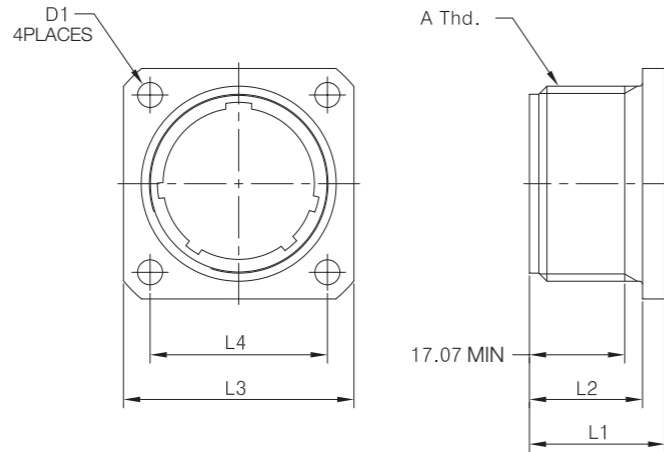
주문정보 및 부품번호 구분 (Ordering Information)



MIL-C-22992 Class "C", "R" Style

Cover, Protective, Connector, Plug

YH18062(MS18062 Style)



UNIT: mm

Shell size	D1 ±0.13	L1 ±0.53 -0.25	L2 ±0.25 -0.00	L3 ±0.53 -0.51	L4 ±0.10	V Thread. (Class : 2B) DS
12	3.81	23.83	20.24	30.18	23.01	0.8750-0.1P-0.2L
14	3.81	23.83	20.24	32.54	24.61	1.0000-0.1P-0.2L
16	3.81	23.83	20.24	34.93	26.97	1.1250-0.1P-0.2L
18	4.50	24.21	20.24	38.10	29.36	1.2500-0.1P-0.2L
20	4.50	24.21	20.24	41.28	31.75	1.3750-0.1P-0.2L
22	4.50	24.21	20.24	44.45	34.93	1.5000-0.1P-0.2L
24	4.50	26.59	21.82	50.80	39.67	1.7500-0.1P-0.2L
28	4.50	26.59	21.82	57.15	44.45	2.0000-0.1P-0.2L
32	5.31	28.19	23.42	63.50	49.23	2.2500-0.1P-0.2L
36	5.31	28.19	23.42	69.85	55.58	2.5000-0.1P-0.2L

주문정보 및 부품번호 구분 (Ordering Information)

MS18062 C 28
 MS Number Shell Style
 Finish C - Conductive, Olive drab cadmium over nickel.
 N - Non Conductive, Hard black anodize.
 Shell Size

YH 18062 C 28
 YH Number Shell Style
 Finish C - Conductive, Olive drab cadmium over nickel.
 N - Non Conductive, Hard black anodize.
 Shell Size

MIL-C-22992 Style 접점 배열도 (Contact Arrangements)

	Shell Size 12				Shell Size 14	
Insert Arrangement	12S-1	12S-3	12S-4	12S-5	14S-1	14S-2
Service Rating	A	A	D	D	A	INST
Number of Contacts	2	2	1	1	3	4
Contact Size	16	16	16	12	16	16

	Shell Size 14					
Insert Arrangement	14-3	14S-4	14S-5	14S-6	14S-7	14S-9
Service Rating	A	D	INST	INST	A	A
Number of Contacts	1	1	5	6	3	2
Contact Size	8	16	16	16	16	16

	Shell Size 14	Shell Size 16				
Insert Arrangement	14S-12	16S-01	16S-1	16S-4	16S-5	16S-6
Service Rating	A	A	A	D	A	A
Number of Contacts	3	8	7	2	3	3
Contact Size	16	16	16	16	16	16

	Shell Size 16					
Insert Arrangement	16S-8	16-9	16-10	16-11	16-12	16-13
Service Rating	A	A	A	A	A	A
Number of Contacts	5	2 2	3	2	1	2
Contact Size	16	16 12	12	12	4	12

	Shell Size 18					
Insert Arrangement	18-1	18-2	18-3	18-4	18-5	18-8
Service Rating	A(B,C,F,G)	24V	D	D	D	A
Number of Contacts	10	3	2	4	1 2	7 1
Contact Size	16	16	12	16	16 12	16 12

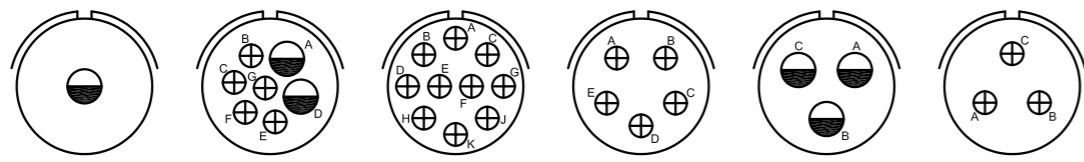
	Shell Size 18					
Insert Arrangement	18-9	18-10	18-11	18-12	18-13	18-14
Service Rating	INST	A	A	A	A	A
Number of Contacts	5 2	4	5	6	3 1	1 1
Contact Size	16 12	12	12	16	12 8	16 4

1. View looking into front face of pin insert(+insulator).
 2. Please make a direct inquiry for the information not contained in the table.



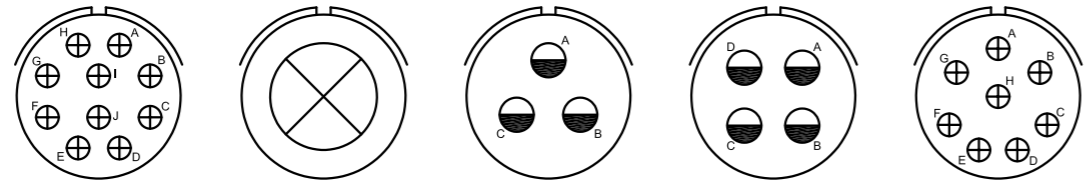
MIL-C-22992 Style 접점 배열도 (Contact Arrangements)

Shell Size 18



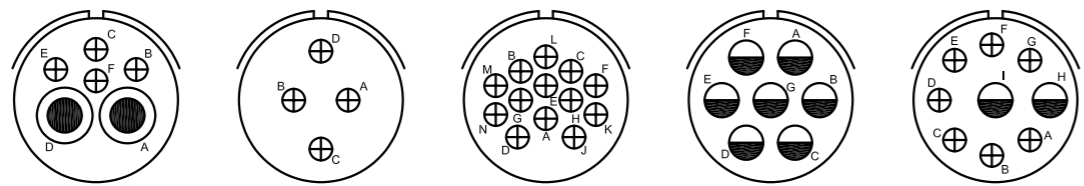
Insert Arrangement	18-16	18-18	18-19	18-20	18-21	18-22
Service Rating	C	INST	A	A	A	D
Number of Contacts	1	5	10	5	3	4
Contact Size	12	16 12	16	16	12	16

Shell Size 20



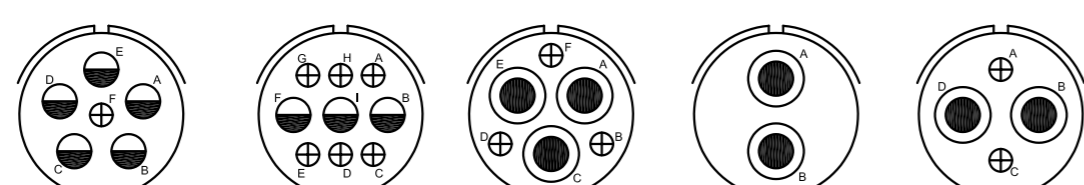
Insert Arrangement	20-01	20-2	20-3	20-4	20-7
Service Rating	A	D	D	D	A(ALL OTHERS) D(A,B,G,H)
Number of Contacts	10	1	3	4	8
Contact Size	16	0	12	12	16

Shell Size 20



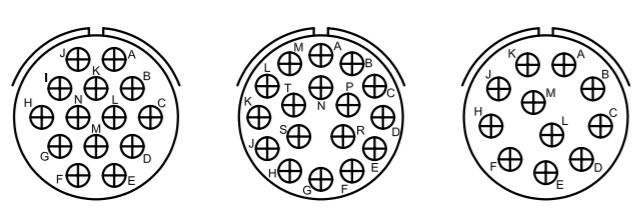
Insert Arrangement	20-8	20-10	20-11	20-15	20-16
Service Rating	INST	A	INST	A	A
Number of Contacts	4 2	4	13	7	7 2
Contact Size	16 8	16	16	12	16 12

Shell Size 20



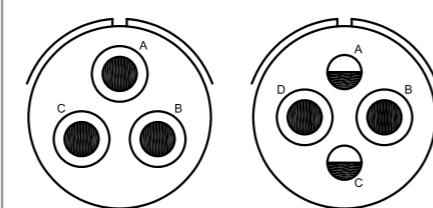
Insert Arrangement	20-17	20-18	20-22	20-23	20-24
Service Rating	A	A	A	A	A
Number of Contacts	1 5	6 3	3 3	2	2 2
Contact Size	16 12	16 12	16 8	8	16 8

Shell Size 20



Insert Arrangement	20-27	20-29	20-33
Service Rating	A	A	A
Number of Contacts	14	17	11
Contact Size	16	16	16

Shell Size 22



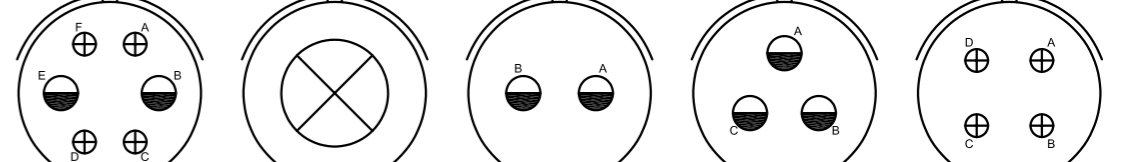
Insert Arrangement	22-2	22-4
Service Rating	D	A
Number of Contacts	3	2 2
Contact Size	8	12 8

1. View looking into front face of pin insert(+insulator).
2. Please make a direct inquiry for the information not contained in the table.



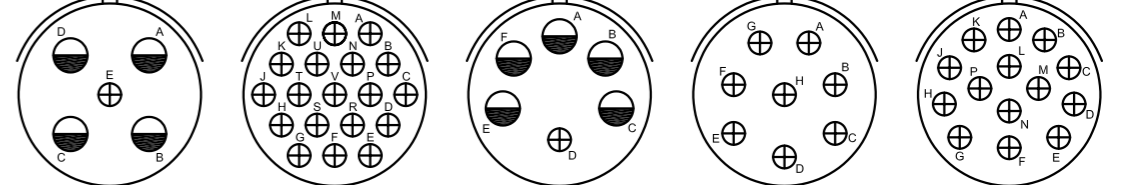
MIL-C-22992 Style 접점 배열도 (Contact Arrangements)

Shell Size 22



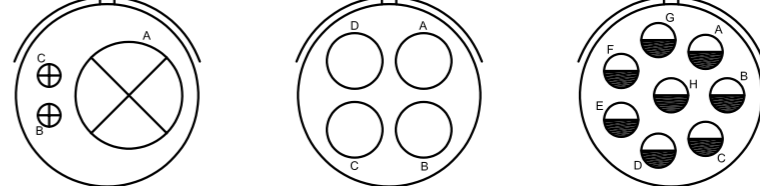
Insert Arrangement	22-5	22-7	22-8	22-9	22-10
Service Rating	D	E	E	E	E
Number of Contacts	4 2	1	2	3	4
Contact Size	16 12	0	12	12	16

Shell Size 22



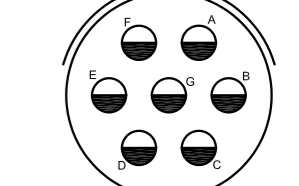
Insert Arrangement	22-13	22-14	22-15	22-18	22-19
Service Rating	A	A	A(ALL OTHERS) D(E)	A(C,D,E) D(ALL OTHERS)	A
Number of Contacts	1 4	19	1 5	8	14
Contact Size	16 12	16	16 12	16	16

Shell Size 22



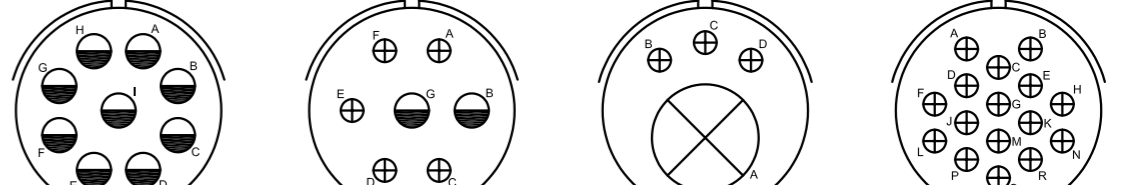
Insert Arrangement	22-21	22-22	22-23
Service Rating	A	A	A(ALL OTHERS), D(H)
Number of Contacts	2 2	4	8
Contact Size	16 0	8	12

Shell Size 24



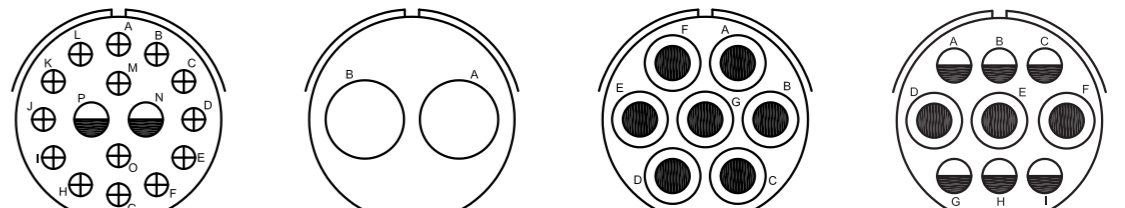
Insert Arrangement	24-2
Service Rating	D
Number of Contacts	7
Contact Size	12

Shell Size 24



Insert Arrangement	24-02	24-3	24-4	24-5
Service Rating	A	D	D	A
Number of Contacts	9	5 2	3 1	16
Contact Size	12	16 12	16 0	16

Shell Size 24



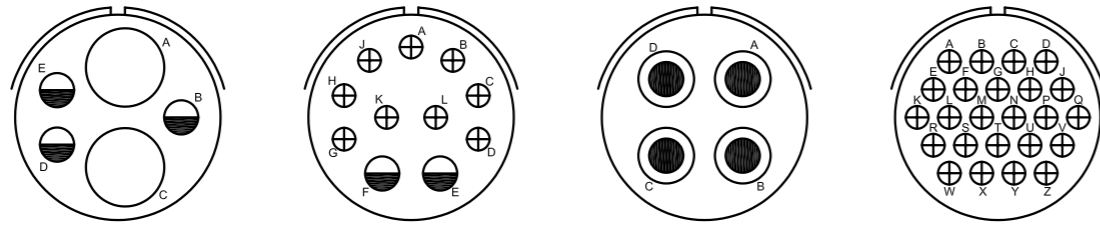
Insert Arrangement	24-7	24-9	24-10	24-11
Service Rating	A	A	A	A
Number of Contacts	14 2	2	7	6 3
Contact Size	16 12	4	8	16 8

1. View looking into front face of pin insert(+insulator).
2. Please make a direct inquiry for the information not contained in the table.



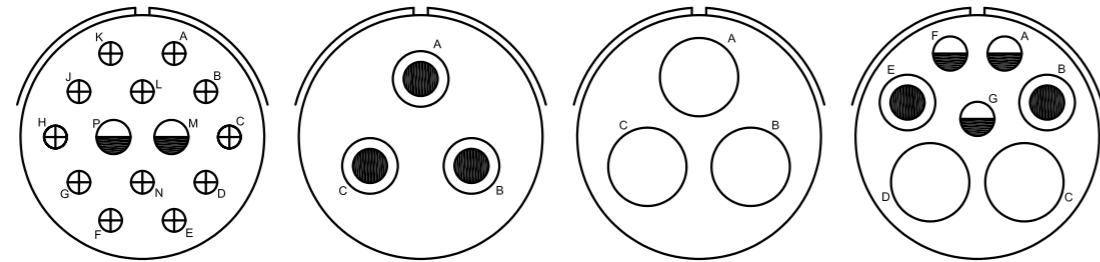
MIL-C-22992 Style 접점 배열도 (Contact Arrangements)

Shell Size 24



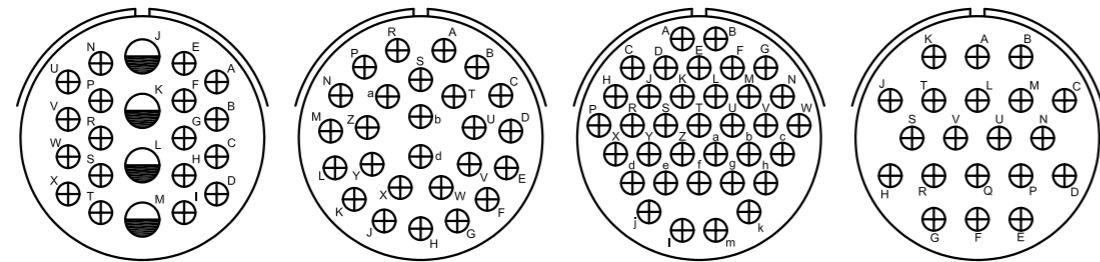
Insert Arrangement	24-12	24-20	24-22	24-28
Service Rating	A	D	D	INST
Number of Contacts	3 2	9 2	4	24
Contact Size	12 4	16 12	8	12

Shell Size 28



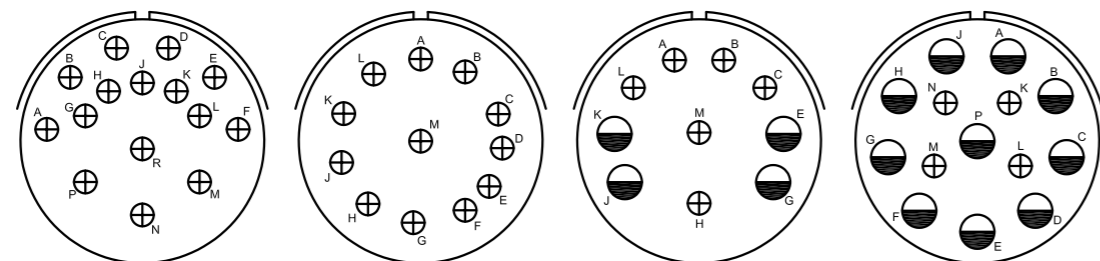
Insert Arrangement	28-2	28-3	28-6	28-10
Service Rating	D	E	D	A(ALL OTHERS), D(G)
Number of Contacts	12 2	3	3	3 2 2
Contact Size	16 12	8	4	12 8 4

Shell Size 28



Insert Arrangement	28-11	28-12	28-15	28-16
Service Rating	A	A	A	A
Number of Contacts	18 4	26	35	20
Contact Size	16 12	16	16	16

Shell Size 28



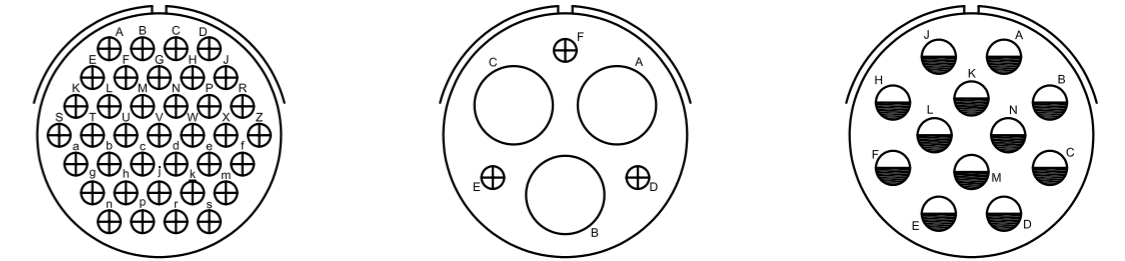
Insert Arrangement	28-17	28-18	28-19	28-20
Service Rating	A(ALL OTHERS)	A(A,B), C(M), INST(C,D,E,F)	A(ALL OTHERS)	A
Number of Contacts	B(R), D(M,N,P)	D(ALL OTHERS)	B(H,M), D(A,B)	4 9
Contact Size	15 16	12 16	6 4 16 12	16 12

1. View looking into front face of pin insert(+insulator).
2. Please make a direct inquiry for the information not contained in the table.



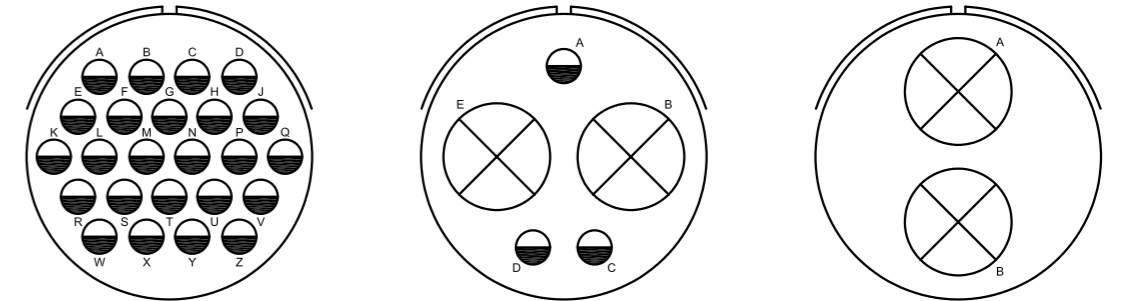
MIL-C-22992 Style 접점 배열도 (Contact Arrangements)

Shell Size 28



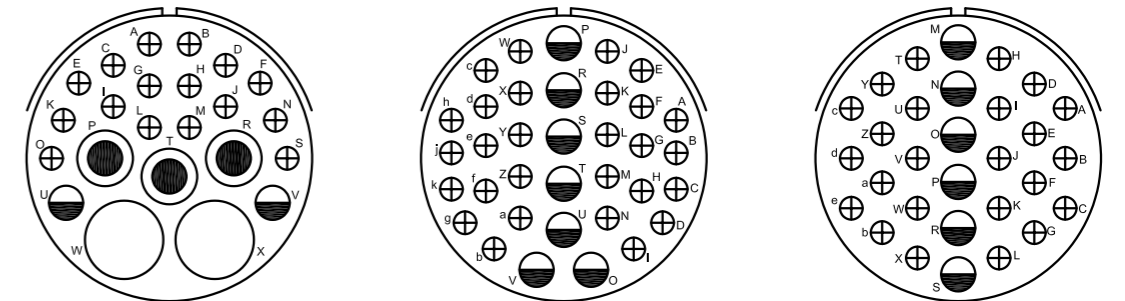
Insert Arrangement	28-21	28-22	28-51
Service Rating	A	D	A
Number of Contacts	37	3 3	12
Contact Size	16	16 4	12

Shell Size 32



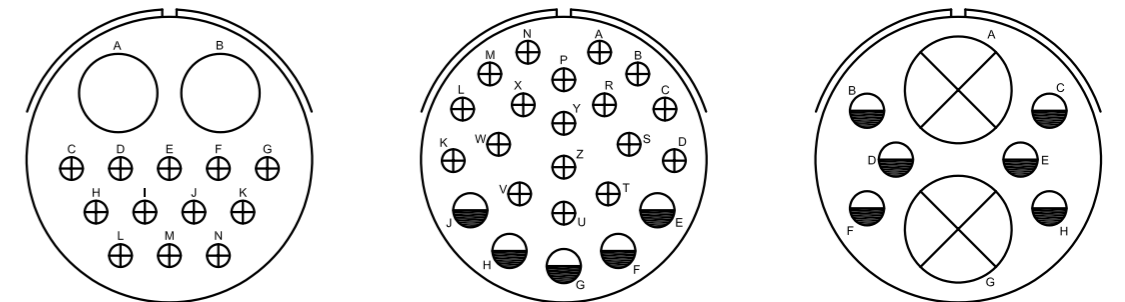
Insert Arrangement	32-01	32-1	32-5
Service Rating	A	E(A), D(ALL OTHERS)	D
Number of Contacts	24	3 2	2
Contact Size	12	12 0	0

Shell Size 32



Insert Arrangement	32-6	32-7	32-8
Service Rating	A	A(ALL OTHERS), INST(A,B,h,j)	A
Number of Contacts	16 2 3 2	28 7	24 6
Contact Size	16 12 8 4	16 12	16 12

Shell Size 32



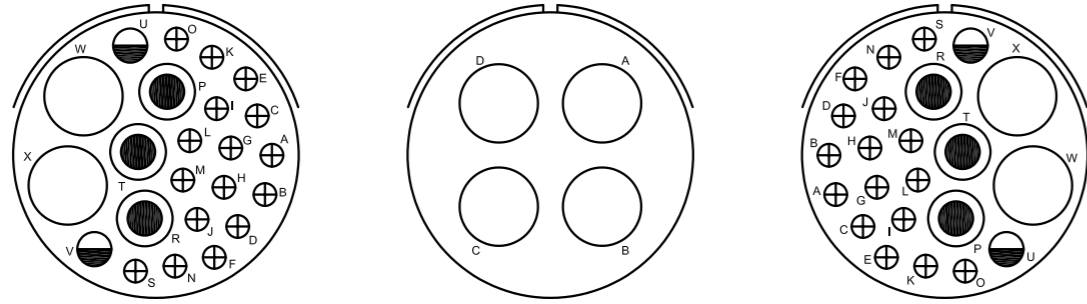
Insert Arrangement	32-9	32-13	32-15
Service Rating	D	D	D
Number of Contacts	12 2	18 5	6 2
Contact Size	16 4	16 12	12 0

1. View looking into front face of pin insert(+insulator).
2. Please make a direct inquiry for the information not contained in the table.



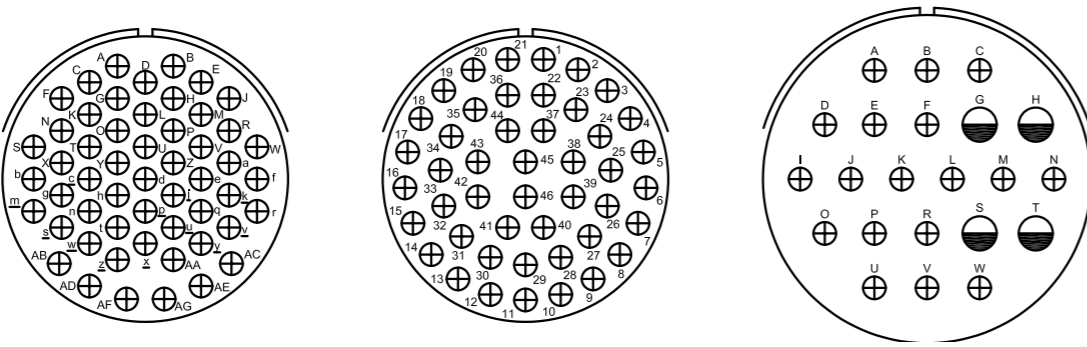
MIL-C-22992 Style 접점 배열도 (Contact Arrangements)

Shell Size 32



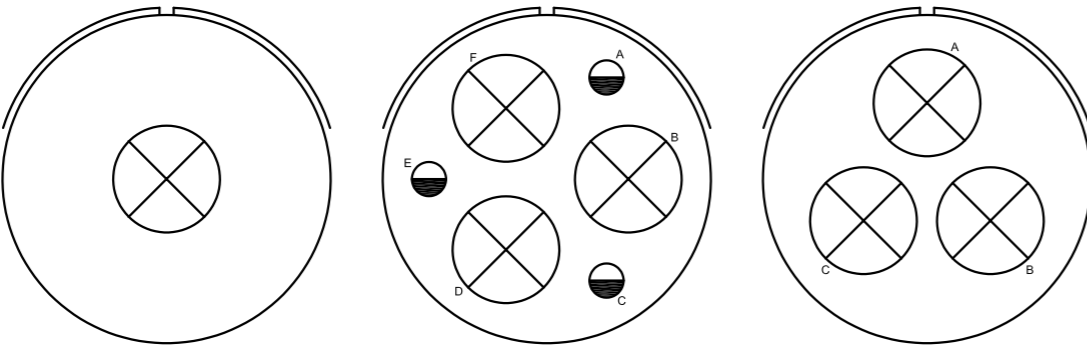
Insert Arrangement	32-16	32-17	32-20
Service Rating	A	D	1A
Number of Contacts	16 2 3 2	4	16 2 3 2
Contact Size	16 12 8 4	4	16 12 8 4

Shell Size 32



Insert Arrangement	32-22	32-73	36-1
Service Rating	A	A	D
Number of Contacts	54	46	18 2
Contact Size	16	16	16 12

Shell Size 36



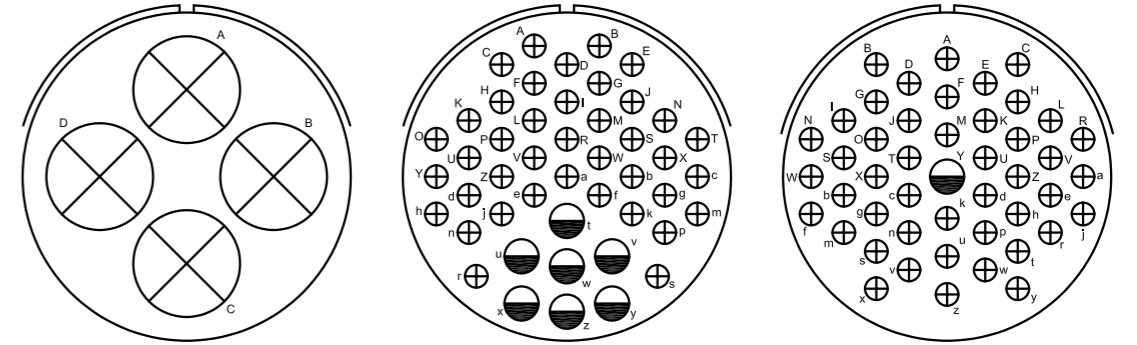
Insert Arrangement	36-03	36-3	36-4
Service Rating	A	D	A(B,C), D(A)
Number of Contacts	1	3 3	3
Contact Size	0	12 0	0

1. View looking into front face of pin insert(+insulator).
2. Please make a direct inquiry for the information not contained in the table.



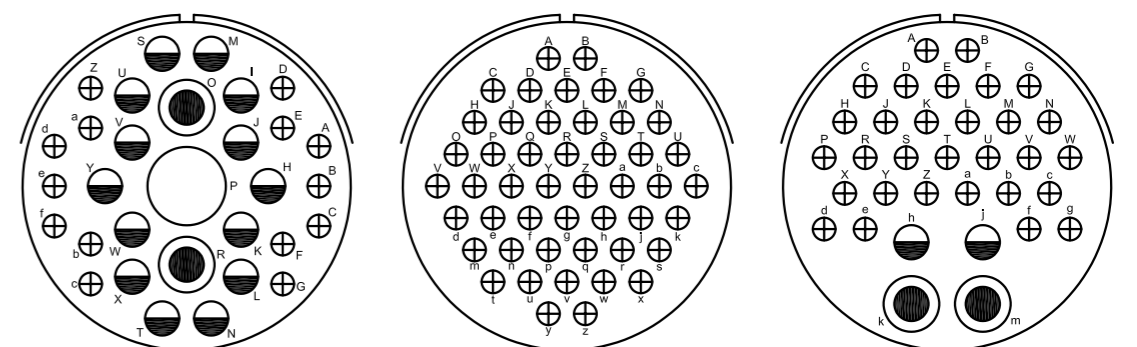
MIL-C-22992 Style 접점 배열도 (Contact Arrangements)

Shell Size 36



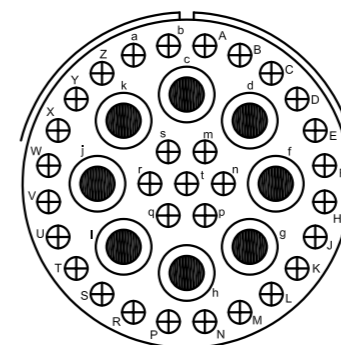
Insert Arrangement	36-5	36-7	36-8
Service Rating	A	A	A
Number of Contacts	4	40 7	46 1
Contact Size	0	16 12	16 12

Shell Size 36



Insert Arrangement	36-9	36-10	36-20
Service Rating	A	A	A
Number of Contacts	14 14 2 1	48	30 2 2
Contact Size	16 12 8 4	16	16 12 8

Shell Size 36



Insert Arrangement	36-54
Service Rating	A
Number of Contacts	31 8
Contact Size	16 8

1. View looking into front face of pin insert(+insulator).
2. Please make a direct inquiry for the information not contained in the table.

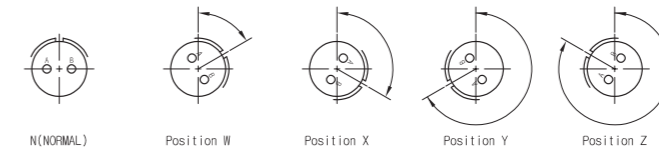


MIL-C-22992 Style 배열에 따른 접점구성 (Contact Arrangements & Formation)

Shell Size	Pin	Pin					Shell Size	PIN	Pin					Shell Size	Pin	Pin				
		20	16	12	8	4			0	20	16	12	8			4	0	20	16	12
		12 Size							12 Size							12 Size				
12S-1	2	2					20-18	9	6 3					28-20	14	4 10				
12S-3	2	2					20-19	3	3					28-21	37	37				
12S-4	1	1					20-22	6	3 3					28-22	6	3 3				
12S-5	1	1					20-23	2	2					28-51	12	12				
12S-01	3	3					20-24	4	2 2					28-56	16	14 2				
12-5	1	1					20-27	14	14					32 Size						
		14 Size					20-29	17	17					32-1	5	3 2				
14S-1	3	3					20-01	10	10					32-5	2	2				
14S-2	4	4					20-02	10	8 2					32-6	23	16 2 3 2				
14S-3	1	1					20-03	3	1 2					32-7	35	28 7				
14S-4	1	1					22 Size					32-8	30	24 6						
14S-5	5	5					22-2	3	3					32-13	23	18 5				
14S-6	6	6					22-4	4	2					32-15	8	6 2				
14S-7	3	3					22-5	6	4 2					32-16	23	16 2 3 2				
14S-9	2	2 1					22-7	1	1					32-17	4	4				
14-3	1	1					22-8	2	2					32-22	54	54				
		16 Size					22-9	3	3					32-73	46	46				
16S-01	8	8					22-10	4	4					32-01	24	24				
16-9	4	2 2					22-14	19	19					32-02	16	16				
16-10	3	3					22-15	6	1 5					32-03	3	3				
16-11	2	2					22-18	8	8					32-04	7	7				
16-12	1	1					22-19	14	14					32-05	28	18 8 2				
16-13	2	2					22-22	4	4					32-59	40	38 2				
16S-1	7	7					22-23	8	8					36 Size						
16S-4	2	2					22-27	9	8 1					36-1	22	18				
16S-5	3	3					22-01	12	8 4					36-4	3	3				
16S-8	5	5					22-02	9	9					36-5	4	4				
		18 Size					24 Size					36-7	47	40						
18-1	10	10					24-2	7	7					36-8	47	46				
18-2	3	3					24-3	7	5 2					36-9	31	14 14 2 1				
18-3	2	2					24-4	4	3 3					36-10	48	48				
18-4	4	4					24-5	16	16					36-20	34	30 2 2				
18-5	3	1 2					24-7	16	14 2					36-02	27	27				
18-8	8	7 1					24-9	2	2					36-52	52	52				
18-9	7	5 2					24-10	7	7					40 Size						
18-10	4	4					24-11	9	6 3											
18-11	5	6 5					24-12	5	3 2											
18-12	6	6					24-20	11	9 2											
18-16	1	1					24-22	4	4											
18-18	7	5 2					24-28	24	24											
18-19	10	10					24-01	2	2											
18-20	5	5					24-02	9	9											
18-21	3	3					24-03	12	12											
18-01	8	8					28 Size													
		20 Size					28-2	14	12 2											
20-2	1	1					28-3	3	3											
20-3	3	3					28-7	2	2											
20-4	4	4 1					28-9	7	3 2 2											
20-7	8	8					28-10	7	3 2 2											
20-8	6	4 2					28-11	22	18 4											
20-10	4	4					28-12	26	26											
20-13	13	13					28-15	35	35											
20-15	7	7					28-16	20	20											
20-16	9	7 2					28-17	15	15											
20-17	6	1 5					28-18	12	12											
							28-19	10	6 4											

본 표에 수록되지 않은 내용은 별도로 문의해 주십시오. (MIL-STD-1651에 따른다.)

MIL-C-22992 Style 절연체 회전위치 (Alternate Insert Positions)



View looking into front face of pin insert or rear of socket insert.

Shell Size	Insert Arrangement	Service Rating	Total Contact	Contact Size					Alternate Positions				Shell Size	Insert Arrangement	Service Rating	Total Contact	Contact Size					Alternate Positions			
				0	4	8	12	16	W	X	Y	Z					0	4	8	12	16	W	X	Y	Z
10SL	10SL-3	A	3					3	-	-	-	-	22	22-21	A	3	1				2	80	110	250	280
	10SL-4	A	2					2	-	-	-	-		22-22	A	4			4			-	110	250	-
12S	12S-3	A	2					2	70	145	215	290		22-23	D/A	8			8			35	-	250	-
	12S-4	D	1					1	-	-	-	-		22-27	D/A	9			1		8	80	-	250	280
12	12-5	D	1			1			-	-	-	-		22-29	A	7			7			80	-	-	280
14S	14S-1	A	3					3	-	-	-	-		22-33	D	5			3	2		80	110	250	280
	14S-2	Inst.	4					4	-	120	240	-		24-2	D	7			7			80	-	-	280
	14S-5	Inst.	5					5	-	110	-	-		24-3	D	7			2	5		80	110	250	280
	14S-6	Inst.	6					6	-	-	-	-		24-4	D	4	1			3		80	110	250	280
	14S-7	A	3					3	90	180	270	-		24-5	A	16				16		80	110	250	280
	14S-9	A	2					2	70	145	215	290		24-6	D/A	8			8			80	110	250	280
14	14-3	A	1			1			-	-	-	-		24-7	A	16				2	14	80	110	250	280
16S	16S-1	A	7					7	80	-	-	280		24-9	A	2			2			35	110	250	325
	16S-4	D	2					2	35	110	250	325		24-10	A	7			7			80	-	-	280
	16S-5	A	3					3	70	145	215	290		24-11	A	9			3	6		35	110	250	325
	16S-6	A	3					3	90	180	270	-		24-12	A	5			2	3		70	145	215	290
	16S-8	A	5					5	-	170	265	-		24-20	D	11			2	9		80	110	250	280
	16-7	A	3			1		2	80	110	250	280		24-22	D	4			4			45	110	250	-
	16-9	A	4			2		2	35	110	250	325		24-27	E	7				7		80	-	-	280
	16-10	A	3			3		3	90	180	270	-		24-28	Inst.	24				24		80	110	250	280
	16-11	A	2			2		2	35	110	250	325		28-1	D/A	9			3	6		80	110	250	280
	16-12	A	1			1			-	-	-	-		28-2	D	14				2	12	35	110	250	325
	16-13	A	2			2			-	-	-	-		28-3	E	3			3			70	145	215	290
	18-2	A/Inst.	10					10	70	145	215	290		28-6	D	3			3			70	145	215	290
	18-2	24V	3					3	-	-	-	-		28-7	D	2			2			35	110	250	325
	18-3	D	2			2		2	35	110	250	325		28-9	D	12				6	6	80	110	250	280
	18-4	D	4			4		4	35	110	250	325		28-10	D/A	7			2	2	3	80	110	250	280
	18-5	D	3			2		2	80	110	250	280		28-11	A	22				4	18	80	110	250	280
	18-8	A	8			1		7	70	-	-	290		28-12	A	26					26	90	180	270	-
	18-9	Inst.	7			2		5	80	110	250	280		28-15	A	35					35	80	110	250	280
	18-10	A	4			4		4	-	120	240	-		28-16	A	20					20	80	110	250	280
	18-11	A	5			5		5	-	170	265	-		28-17	B/D/A	15					15	80	110	250	280
	18-12	A	6			6		6	80	-	-	280		28-18	C/D/A/Inst.	12					12	70	145	215	290
	18-13	A	4			1	3	80	110	250	280		28-19	B/D/A	10				4	6	80	110	250	280	
	18-16	C	1			1		1	-	-	-	-		28-20	A	14				10	4	80			